

DATA SHEET

OM5604; OM5606 Multimedia radio tuner

Preliminary specification
Supersedes data of 1995 Aug 31
File under Integrated Circuits, IC01

1995 Oct 10

Multimedia radio tuner

OM5604; OM5606

FEATURES

- Local/DX switching to improve large signal handling on FM when an outdoor antenna or cable network is connected
- Local/DX function provides different search levels which are useful for spectrum analyser functions
- Three extra I/O expander ports are available for general purpose (I²C-bus only)
- RDS-MPX signal available
- The module meets the "FCC regulations"
- The OM5604; OM5606 is in accordance with "CENELEC EN55022" and "CENELEC EN50082-1".



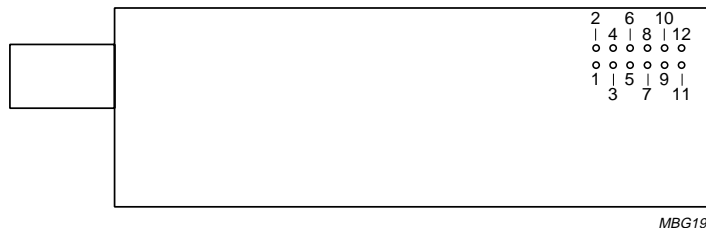
ANTENNA CONNECTOR

RF connector

- OM5604: F-connector (FM input impedance = 75 Ω)
- OM5606: IEC-connector (FM input impedance = 75 Ω).

GENERAL DESCRIPTION

The OM5604; OM5606 is an FM-radio tuner which includes a brand new concept in tuning techniques. The new tuning concept combines the advantages of hand tuning together with electronic facilities and features. The tuner is I²C-bus controlled.



MBG196

Fig.1 OM5604; OM5606 connector.

ORDERING INFORMATION

UNIT	FREQUENCY (MHz)	BUS	RF CONNECTOR
FM I ² C-bus	87.5 to 108	I ² C-bus	F-connector for OM5604
			IEC-connector for OM5606

Multimedia radio tuner

OM5604; OM5606

PINNING

PIN	DESCRIPTION
1	port 5 PCF8574A (I ² C-bus)
2	port 6 PCF8574A (I ² C-bus)
3	port 7 PCF8574A (I ² C-bus)
4	serial clock input ⁽¹⁾
5	stereo indicator
6	serial data input/output ⁽¹⁾
7	supply voltage (+5 V)
8	supply voltage (+12 V)
9	audio right output
10	ground
11	audio left output
12	MPX signal for RDS demodulation

Note

- See "The I²C-bus and how to use it" (ordering number 9398 393 40011).

LIMITING VALUES

IEC publication 68-1; full specification; EMC behaviour: the module is designed to be FCC friendly (part 15).

SYMBOL	PARAMETER	CONDITIONS	MIN.	MAX.	UNIT
T	temperature		15	35	°C
RH	relative humidity		25	85	%
T _{amb}	operating ambient temperature	functional operation	-10	+60	°C
T _{stg}	storage temperature		-20	+70	°C
V _{esd(pc)}	electrostatic handling for pin connector	note 1	-	2	kV
		note 2	-	300	V
V _{esd(RFc)}	electrostatic handling for RF-connector	note 3	-	4	kV
		note 4	-	500	V

Notes

- Class B: human body model (1.5 k Ω , 100 pF).
- Class B: charge device model (0 Ω , 200 pF).
- Class A: human body model (1.5 k Ω , 100 pF).
- Class A: charge device model (0 Ω , 200 pF).

INTERFACE

- Digital driving: I²C-bus
- Audio output: typical 900 mV RMS (load 600 Ω) for FM $\Delta f = 75$ kHz
- Supply: 5 V $\pm 10\%$ current ≤ 30 mA and 12 V $\pm 1\%$, ripple ≤ 1 V, current ≤ 2 mA
- RDS-MPX: DC coupled (load ≥ 39 k Ω), amplitude typical 150 mV ($\Delta f = 75$ kHz)
- RF input connector (75 Ω)
- 12 pin connector.

Multimedia radio tuner

OM5604; OM5606

CHARACTERISTICS

Direct coaxial feed to 75 Ω RF-connector; signal generator impedance = 75 Ω ; RF levels are EMF/2; $\Delta f = 75$ kHz; $f_i = 98$ MHz; $f_{mod} = 1$ kHz; left and right audio output; $R_L = 600$ Ω ; audio filter = 22 Hz to 15 kHz; temperature range = 15 to 35 $^{\circ}$ C.

SYMBOL	PARAMETER	CONDITIONS	MIN.	TYP.	MAX.	UNIT
FM mono						
Φ_{lim}	3 dB limiting sensitivity	$V_{11, 12} = -3$ dB; $V_{11, 12} = 0$ dB at $V_{FMi} > 100$ μ V	–	3.5	5	μ V
Φ_{RF}	RF sensitivity	$(S + N)/N = 26$ dB	–	2.2	4	μ V
S/N	signal-to-noise ratio	$V_{FMi} = 1$ mV	–	71	–	dB
f_L	lower audio frequency bandwidth limit	measured lower limit (-3 dB); $f_{ref} = 1$ kHz; measured with pre-emphasis	–	40	70	Hz
f_H	upper audio frequency bandwidth limit	measured upper limit (-3 dB); $f_{ref} = 1$ kHz; measured with pre-emphasis	12.5	14	–	kHz
α_{AM}	AM suppression	AM modulation $m = 30\%$; $f_{AF} = 1$ kHz	40	58	–	dB
THD	total harmonic distortion		–	1.5	3	%
V_{FMi}	search sensitivity	search stop bits 17 and 16 = 0	–	12	36	μ V
V_{FMi}	large signal handling	DX mode; measured distortion = 10%	–	1000	–	mV
att_{RF}	RF attenuation in local mode		15	20	30	dB
V_{FM}	audio output voltage level	$V_{FMi} = 1$ mV; $\Delta f = 75$ kHz; $f_{AF} = 400$ Hz	700	850	–	mV
FM stereo						
S/N	signal-to-noise ratio	$V_{FMi} = 1$ mV	60	63	–	dB
α_{cs}	channel separation	$f_{AF} = 1$ kHz; $V_{FMi} = 1$ mV	22	28	–	dB
$ \Delta I_O $	channel imbalance	$f_{AF} = 1$ kHz; $V_{FMi} = 1$ mV	–	0.5	3	dB
α_{19}	carrier and harmonic suppression		25	26	–	dB
α_{38}	carrier and harmonic suppression		25	27	–	dB
α	stereo blend function	$V_{FMi} = 100$ μ V	5	10	–	dB
THD	total harmonic distortion		–	–	3	%

Multimedia radio tuner

OM5604; OM5606

PACKAGE OUTLINES

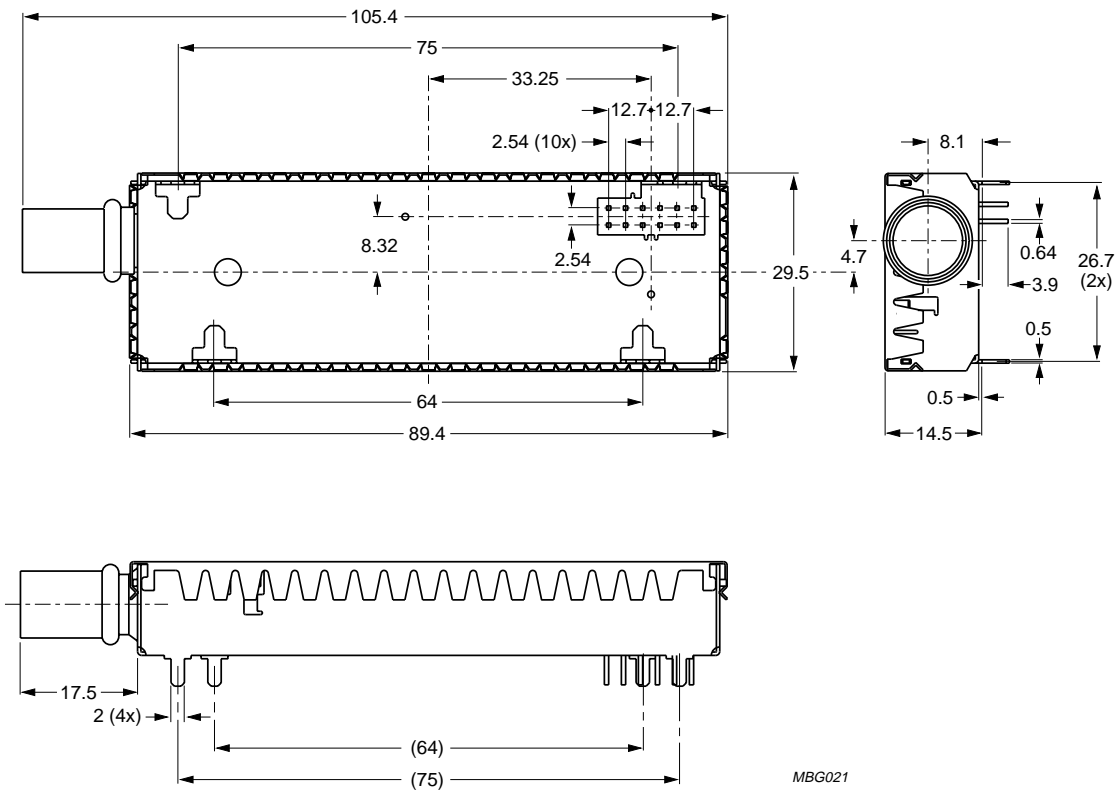


Fig.2 Package outline for OM5604 (F connector).

Multimedia radio tuner

OM5604; OM5606

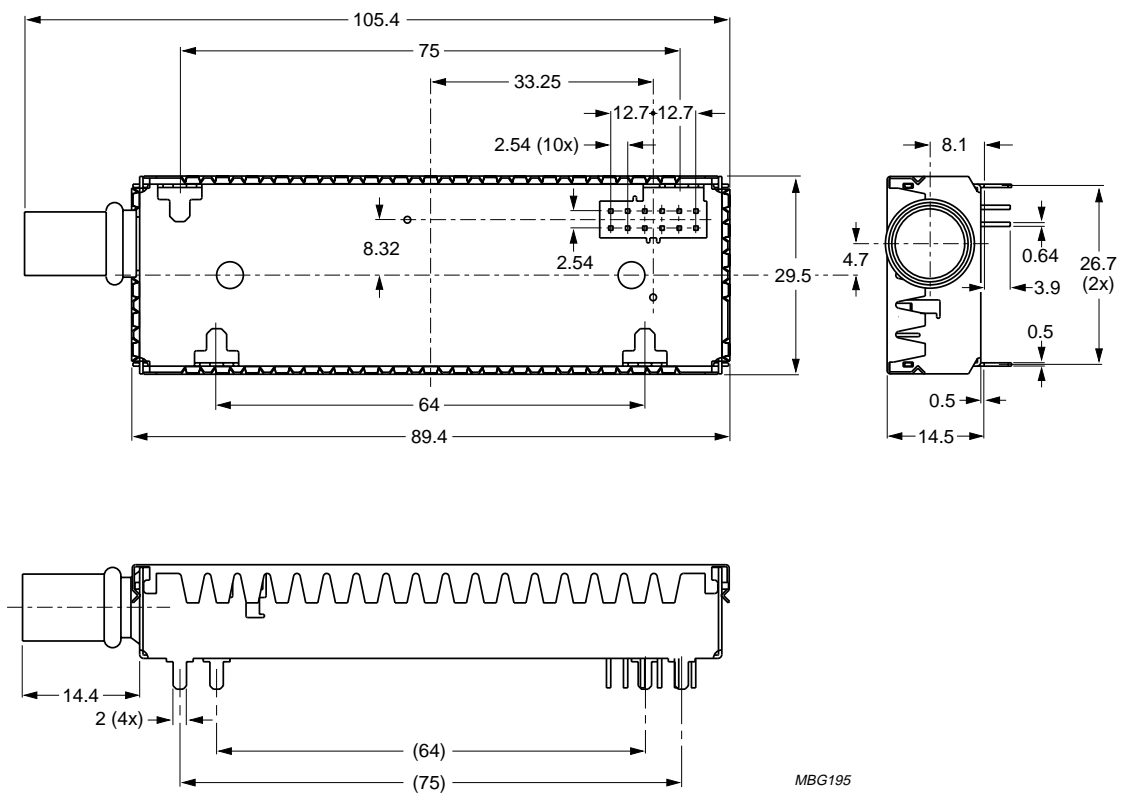


Fig.3 Package outline for OM5606 (IEC connector).

Multimedia radio tuner

OM5604; OM5606

DEFINITIONS

Data sheet status	
Objective specification	This data sheet contains target or goal specifications for product development.
Preliminary specification	This data sheet contains preliminary data; supplementary data may be published later.
Product specification	This data sheet contains final product specifications.
Limiting values	
Limiting values given are in accordance with the Absolute Maximum Rating System (IEC 134). Stress above one or more of the limiting values may cause permanent damage to the device. These are stress ratings only and operation of the device at these or at any other conditions above those given in the Characteristics sections of the specification is not implied. Exposure to limiting values for extended periods may affect device reliability.	
Application information	
Where application information is given, it is advisory and does not form part of the specification.	

LIFE SUPPORT APPLICATIONS

These products are not designed for use in life support appliances, devices, or systems where malfunction of these products can reasonably be expected to result in personal injury. Philips customers using or selling these products for use in such applications do so at their own risk and agree to fully indemnify Philips for any damages resulting from such improper use or sale.

PURCHASE OF PHILIPS I²C COMPONENTS



Purchase of Philips I²C components conveys a license under the Philips' I²C patent to use the components in the I²C system provided the system conforms to the I²C specification defined by Philips. This specification can be ordered using the code 9398 393 40011.

Philips Semiconductors – a worldwide company

Argentina: IEROD, Av. Juramento 1992 - 14.b, (1428)
BUENOS AIRES, Tel. (541)786 7633, Fax. (541)786 9367

Australia: 34 Waterloo Road, NORTH RYDE, NSW 2113,
Tel. (02)805 4455, Fax. (02)805 4466

Austria: Triester Str. 64, A-1101 WIEN, P.O. Box 213,
Tel. (01)60 101-1236, Fax. (01)60 101-1211

Belgium: Postbus 90050, 5600 PB EINDHOVEN, The Netherlands,
Tel. (31)40-2783749, Fax. (31)40-2788399

Brazil: Rua do Rocio 220 - 5th floor, Suite 51,
CEP: 04552-903-SÃO PAULO-SP, Brazil.
P.O. Box 7383 (01064-970),
Tel. (011)821-2333, Fax. (011)829-1849

Canada: PHILIPS SEMICONDUCTORS/COMPONENTS:
Tel. (800) 234-7381, Fax. (708) 296-8556

Chile: Av. Santa Maria 0760, SANTIAGO,
Tel. (02)773 816, Fax. (02)777 6730

China/Hong Kong: 501 Hong Kong Industrial Technology Centre,
72 Tat Chee Avenue, Kowloon Tong, HONG KONG,
Tel. (852)2319 7888, Fax. (852)2319 7700

Colombia: IPRELENZO LTDA, Carrera 21 No. 56-17,
77621 BOGOTA, Tel. (571)249 7624/(571)217 4609,
Fax. (571)217 4549

Denmark: Prags Boulevard 80, PB 1919, DK-2300
COPENHAGEN S, Tel. (032)88 2636, Fax. (031)57 1949

Finland: Sinikalliontie 3, FIN-02630 ESPOO,
Tel. (358)0-615 800, Fax. (358)0-61580 920

France: 4 Rue du Port-aux-Vins, BP317,
92156 SURESNES Cedex,
Tel. (01)4099 6161, Fax. (01)4099 6427

Germany: P.O. Box 10 63 23, 20043 HAMBURG,
Tel. (040)3296-0, Fax. (040)3296 213.

Greece: No. 15, 25th March Street, GR 17778 TAVROS,
Tel. (01)4894 339/4894 911, Fax. (01)4814 240

India: Philips INDIA Ltd, Shivsagar Estate, A Block,
Dr. Annie Besant Rd. Worli, Bombay 400 018
Tel. (022)4938 541, Fax. (022)4938 722

Indonesia: Philips House, Jalan H.R. Rasuna Said Kav. 3-4,
P.O. Box 4252, JAKARTA 12950,
Tel. (021)5201 122, Fax. (021)5205 189

Ireland: Newstead, Clonskeagh, DUBLIN 14,
Tel. (01)7640 000, Fax. (01)7640 200

Italy: PHILIPS SEMICONDUCTORS S.r.l.,
Piazza IV Novembre 3, 20124 MILANO,
Tel. (0039)2 6752 2531, Fax. (0039)2 6752 2557

Japan: Philips Bldg 13-37, Kohnan2-chome, Minato-ku, TOKYO 108,
Tel. (03)3740 5130, Fax. (03)3740 5077

Korea: Philips House, 260-199 Itaewon-dong,
Yongsan-ku, SEOUL, Tel. (02)709-1412, Fax. (02)709-1415

Malaysia: No. 76 Jalan Universiti, 46200 PETALING JAYA,
SELANGOR, Tel. (03)750 5214, Fax. (03)757 4880

Mexico: 5900 Gateway East, Suite 200, EL PASO, TX 79905,
Tel. 9-5(800)234-7381, Fax. (708)296-8556

Netherlands: Postbus 90050, 5600 PB EINDHOVEN, Bldg. VB,
Tel. (040)2783749, Fax. (040)2788399

New Zealand: 2 Wagener Place, C.P.O. Box 1041, AUCKLAND,
Tel. (09)849-4160, Fax. (09)849-7811

Norway: Box 1, Manglerud 0612, OSLO,
Tel. (022)74 8000, Fax. (022)74 8341

Pakistan: Philips Electrical Industries of Pakistan Ltd.,
Exchange Bldg. ST-2/A, Block 9, KDA Scheme 5, Clifton,
KARACHI 75600, Tel. (021)587 4641-49,
Fax. (021)577035/5874546

Philippines: PHILIPS SEMICONDUCTORS PHILIPPINES Inc,
106 Valero St. Salcedo Village, P.O. Box 2108 MCC, MAKATI,
Metro MANILA, Tel. (63) 2 816 6380, Fax. (63) 2 817 3474

Portugal: PHILIPS PORTUGUESA, S.A.,
Rua dr. António Loureiro Borges 5, Arquiparque - Miraflores,
Apartado 300, 2795 LINDA-A-VELHA,
Tel. (01)4163160/4163333, Fax. (01)4163174/4163366

Singapore: Lorong 1, Toa Payoh, SINGAPORE 1231,
Tel. (65)350 2000, Fax. (65)251 6500

South Africa: S.A. PHILIPS Pty Ltd.,
195-215 Main Road Martindale, 2092 JOHANNESBURG,
P.O. Box 7430, Johannesburg 2000,
Tel. (011)470-5911, Fax. (011)470-5494

Spain: Balmes 22, 08007 BARCELONA,
Tel. (03)301 6312, Fax. (03)301 42 43

Sweden: Kottbygatan 7, Akalla. S-164 85 STOCKHOLM,
Tel. (0)8-632 2000, Fax. (0)8-632 2745

Switzerland: Allmendstrasse 140, CH-8027 ZÜRICH,
Tel. (01)488 2211, Fax. (01)481 77 30

Taiwan: PHILIPS TAIWAN Ltd., 23-30F, 66, Chung Hsiao West
Road, Sec. 1, Taipei, Taiwan ROC, P.O. Box 22978,
TAIPEI 100, Tel. (886) 2 382 4443, Fax. (886) 2 382 4444

Thailand: PHILIPS ELECTRONICS (THAILAND) Ltd.,
209/2 Sanpavuth-Bangna Road Prakanong,
Bangkok 10260, THAILAND,
Tel. (66) 2 745-4090, Fax. (66) 2 398-0793

Turkey: Talatpasa Cad. No. 5, 80640 GÜLTEPE/ISTANBUL,
Tel. (0212)279 27 70, Fax. (0212)282 67 07

United Kingdom: Philips Semiconductors LTD.,
276 Bath Road, Hayes, MIDDLESEX UB3 5BX,
Tel. (0181)730-5000, Fax. (0181)754-8421

United States: 811 East Arques Avenue, SUNNYVALE,
CA 94088-3409, Tel. (800)234-7381, Fax. (708)296-8556

Uruguay: Coronel Mora 433, MONTEVIDEO,
Tel. (02)70-4044, Fax. (02)92 0601

Internet: <http://www.semiconductors.philips.com/ps/>

For all other countries apply to: Philips Semiconductors,
International Marketing and Sales, Building BE-p,
P.O. Box 218, 5600 MD EINDHOVEN, The Netherlands,
Telex 35000 phtcnl, Fax. +31-40-2724825

SCD44

© Philips Electronics N.V. 1995 Oct 10

All rights are reserved. Reproduction in whole or in part is prohibited without the prior written consent of the copyright owner.

The information presented in this document does not form part of any quotation or contract, is believed to be accurate and reliable and may be changed without notice. No liability will be accepted by the publisher for any consequence of its use. Publication thereof does not convey nor imply any license under patent- or other industrial or intellectual property rights.

Printed in The Netherlands

513061/1500/02/pp8
Document order number:

Date of release: 1995 Oct 10
9397 750 00352

This datasheet has been download from:

www.datasheetcatalog.com

Datasheets for electronics components.