

1048,576 WORD × 4 BIT DYNAMIC RAM

* This is advanced information and specifications are subject to change without notice.

DESCRIPTION

The TC514402AP/AJ/ASJ/AZ is the new generation dynamic RAM organized 1,048,576 words by 4 bits. The TC514402AP/AJ/ASJ/AZ utilizes TOSHIBA's CMOS Silicon gate process technology as well as advanced circuit techniques to provide wide operating margins, both internally and to the system user. Multiplexed address inputs permit the TC514402AP/AJ/ASJ/AZ to be packaged in a standard 20 pin plastic DIP, 26/20 pin plastic SOJ (300/350mil) and 20 pin plastic ZIP. The package size provides high system bit densities and is compatible with widely available automated testing and insertion equipment. System oriented features include single power supply of 5V±10% tolerance, direct interfacing capability with high performance logic families such as Schottky TTL.

FEATURES

- 1,048,576 word by 4 bit organization
- Fast access time and cycle time

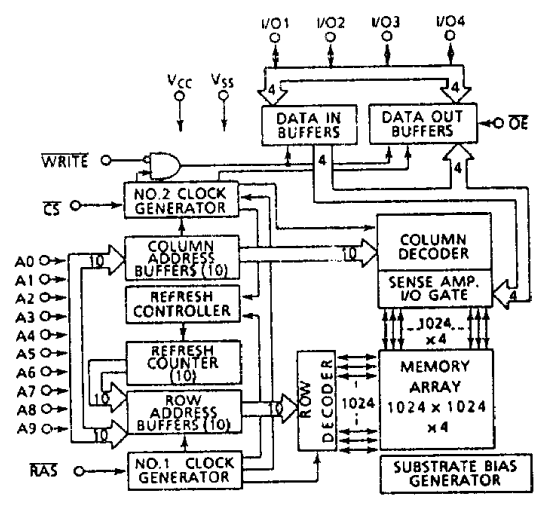
TC514402AP/AJ/ASJ/AZ - 60	
t _{RAC} RAS Access Time	60ns
t _{AA} Column Address Access Time	30ns
t _{CAC} CS Access Time	20ns
t _{RC} Cycle Time	110ns
t _{SC} Static Column Mode Cycle Time	35ns

- Single power supply of 5V±10% with a built-in V_{BB} generator
- Low Power
 - 660mW MAX. Operating (TC514402AP/AJ/ASJ/AZ - 60)
 - 5.5mW MAX. Standby
- Output unlatched at cycle end allows two-dimensional chip selection
- Read-Modify-Write, CS before RAS refresh, RAS-only refresh, Hidden refresh, Static Column Mode and Test Mode capability
- All inputs and outputs TTL Compatible
- 1024 refresh cycles/16ms
- Package
 - TC514402AP : DIP20-P-300C
 - TC514402AJ : SOJ26-P-350
 - TC514402ASJ : SOJ26-P-300A
 - TC514402AZ : ZIP20-P-400A

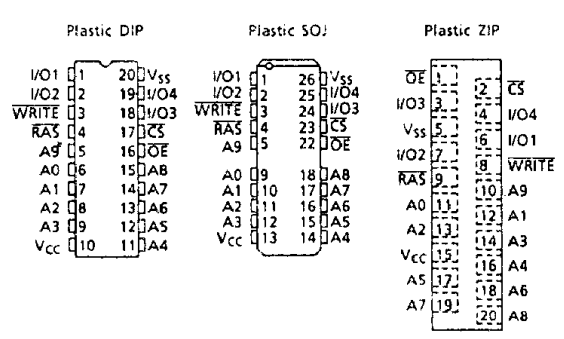
PIN NAMES

Symbol	Function	Symbol	Function
A0~A9	Address Inputs	OE	Output Enable
RAS	Row Address Strobe	I/O1~I/O4	Data Input/Output
CS	Chip Select	V _{CC}	Power (+5V)
WRITE	Read/Write Input	V _{SS}	Ground

BLOCK DIAGRAM



PIN CONNECTION (TOP VIEW)



TC514402AP/AJ/ASJ/AZ-60

ABSOLUTE MAXIMUM RATINGS

ITEM	SYMBOL	RATING	UNITS	NOTES
Input Voltage	V_{IN}	-1~7	V	1
Output Voltage	V_{OUT}	-1~7	V	1
Power Supply Voltage	V_{CC}	-1~7	V	1
Operating Temperature	T_{OPR}	0~70	°C	1
Storage Temperature	T_{STG}	-55~150	°C	1
Soldering Temperature · Time	T_{SOLDER}	260 · 10	°C · sec	1
Power Dissipation	P_D	700	mW	1
Short Circuit Output Current	I_{OUT}	50	mA	1

RECOMMENDED DC OPERATING CONDITIONS ($T_a = 0\sim 70^{\circ}C$)

SYMBOL	PARAMETER	MIN.	TYP.	MAX.	UNIT	NOTES
V_{CC}	Supply Voltage	4.5	5.0	5.5	V	2
V_{IH}	Input High Voltage	2.4	-	6.5	V	2
V_{IL}	Input Low Voltage	-1.0	-	0.8	V	2

DC ELECTRICAL CHARACTERISTICS ($V_{CC} = 5V \pm 10\%$, $T_a = 0 \sim 70^\circ C$)

SYMBOL	PARAMETER	MIN.	MAX.	UNITS	NOTES	
I_{CC1}	OPERATING CURRENT Average Power Supply Operating Current (\overline{RAS} , \overline{CS} , Address Cycling: $t_{RC} = t_{RC} \text{ MIN.}$)	TC514402AP/AJ/ASJ/AZ-60	-	120	mA	3, 4 5
I_{CC2}	STANDBY CURRENT Power Supply Standby Current ($\overline{RAS} = \overline{CS} = V_{IH}$)		-	2	mA	
I_{CC3}	\overline{RAS} ONLY REFRESH CURRENT Average Power Supply Current, \overline{RAS} Only Mode (\overline{RAS} Cycling, $\overline{CS} = V_{IH}$; $t_{RC} = t_{RC} \text{ MIN.}$)	TC514402AP/AJ/ASJ/AZ-60	-	120	mA	3, 5
I_{CC4}	STATIC COLUMN MODE CURRENT Average Power Supply Current, STATIC COLUMN Mode ($\overline{RAS} = \overline{CS} = V_{IL}$, Address Cycling: $t_{SC} = t_{SC} \text{ MIN.}$)	TC514402AP/AJ/ASJ/AZ-60	-	95	mA	3, 4 5
I_{CC5}	STANDBY CURRENT Power Supply Standby Current ($\overline{RAS} = \overline{CS} = V_{CC} - 0.2V$)		-	1	mA	
I_{CC6}	\overline{CS} BEFORE \overline{RAS} REFRESH CURRENT Average Power Supply Current, \overline{CS} Before \overline{RAS} Mode (\overline{RAS} , \overline{CS} Cycling: $t_{RC} = t_{RC} \text{ MIN.}$)	TC514402AP/AJ/ASJ/AZ-60	-	120	mA	3, 5
$I_{I(L)}$	INPUT LEAKAGE CURRENT Input Leakage Current, any input ($0V \leq V_{IN} \leq 6.5V$, All Other Pins Not Under Test $\pm 0V$)		- 10	10	μA	
$I_{O(L)}$	OUTPUT LEAKAGE CURRENT (D_{OUT} is disabled, $0V \leq V_{OUT} \leq 5.5V$)		- 10	10	μA	
V_{OH}	OUTPUT LEVEL Output "H" Level Voltage ($I_{OUT} = -5mA$)		2.4	-	V	
V_{OL}	OUTPUT LEVEL Output "L" Level Voltage ($I_{OUT} = 4.2mA$)		-	0.4	V	

TC514402AP/AJ/ASJ/AZ-60

ELECTRICAL CHARACTERISTICS AND RECOMMENDED AC OPERATING CONDITIONS

($V_{CC} = 5V \pm 10\%$, $T_a = 0 \sim 70^\circ\text{C}$) (Notes 6, 7, 8)

SYMBOL	PARAMETER	TC514402AP/AJ/ASJ/AZ-60		UNIT	NOTES
		MIN.	MAX.		
t_{RC}	Random Read or Write Cycle Time	110	-	ns	
t_{RMW}	Read-Modify-Write Cycle Time	165	-	ns	
t_{SC}	Static Column Mode Cycle Time	35	-	ns	
t_{SRMW}	Static Column Mode Read-Modify-Write Cycle Time	90	-	ns	
t_{RAC}	Access Time from \overline{RAS}	-	60	ns	9,14 15
t_{CAC}	Access Time from \overline{CS}	-	20	ns	9,14
t_{AA}	Access Time from Column Address	-	30	ns	9,15
t_{ALW}	Access Time from Last Write	-	55	ns	9,16
t_{CLZ}	\overline{CS} to output in Low-Z	0	-	ns	9
t_{OFF}	Output Buffer Turn-off Delay	0	20	ns	10
t_{AOH}	Output Data Hold Time from Column Address	5	-	ns	
t_{OW}	Output Data Enable Time from \overline{WRITE}	-	20	ns	
t_T	Transition Time (Rise and Fall)	3	50	ns	8
t_{RP}	\overline{RAS} Precharge Time	40	-	ns	
t_{RAS}	\overline{RAS} Pulse Width	60	10,000	ns	
t_{RASC}	\overline{RAS} Pulse Width (Static Column Mode)	60	200,000	ns	
t_{RSH}	\overline{CS} to \overline{RAS} Hold Time	20	-	ns	
t_{CSH}	\overline{RAS} to \overline{CS} Hold Time	60	-	ns	
t_{CS}	\overline{CS} Pulse Width	20	10,000	ns	
t_{CSC}	\overline{CS} Pulse Width (Static Column Mode)	20	200,000	ns	
t_{RCD}	\overline{RAS} to \overline{CS} Delay Time	20	40	ns	14
t_{RAD}	\overline{RAS} to Column Address Delay Time	15	30	ns	15
t_{CRP}	\overline{CS} to \overline{RAS} Precharge Time	5	-	ns	
t_{CP}	\overline{CS} Precharge Time	10	-	ns	
t_{ASR}	Row Address Set-Up Time	0	-	ns	
t_{RAH}	Row Address Hold Time	10	-	ns	
t_{ASC}	Column Address Set-Up Time	0	-	ns	
t_{CAH}	Column Address Hold Time	15	-	ns	
t_{AR}	Column Address Hold Time referenced to \overline{RAS} (READ CYCLE)	70	-	ns	
t_{RAL}	Column Address to \overline{RAS} Lead Time	30	-	ns	
t_{AH}	Column Address Hold Time referenced to \overline{RAS} Rise	5	-	ns	17

SYMBOL	PARAMETER	TC514402AP/AJ/ASJ/AZ-60		UNITS	NOTES
		MIN.	MAX.		
t _{LWAD}	Last Write to Column Address Delay Time	20	25	ns	16
t _{AHLW}	Last Write to Column Address Hold Time	55	-	ns	
t _{RCS}	Read Command Set-up Time referenced to \overline{CS}	0	-	ns	
t _{RCH}	Read Command Hold Time referenced to \overline{CS}	0	-	ns	11
t _{RRH}	Read Command Hold Time referenced to \overline{RAS}	0	-	ns	11
t _{WCH}	Write Command Hold Time (Output Data Disable)	10	-	ns	13
t _{WP}	Write Command Pulse Width	10	-	ns	
t _{WI}	Write Command Inactive Time	10	-	ns	
t _{RWL}	Write Command to \overline{RAS} Lead Time	20	-	ns	
t _{CWL}	Write Command to \overline{CS} Lead Time	20	-	ns	
t _{DS}	Data-In Set-Up Time	0	-	ns	12
t _{DH}	Data-In Hold Time	15	-	ns	12
t _{REF}	Refresh Period	-	16	ms	
t _{WCS}	Write Command Set-UP Time (Output Data Disable)	0	-	ns	13
t _{CWD}	\overline{CS} to \overline{WRITE} Delay Time (READ-MODIFY-WRITE CYCLE)	50	-	ns	13
t _{RPWD}	\overline{RAS} to \overline{WRITE} Delay Time (READ-MODIFY-WRITE Cycle)	90	-	ns	13
t _{AWD}	Column Address to \overline{WRITE} Delay Time	60	-	ns	13
t _{CSR}	\overline{CS} Set-Up Time(\overline{CS} before \overline{RAS})	5	-	ns	
t _{CHR}	\overline{CS} Hold Time(\overline{CS} before \overline{RAS})	15	-	ns	
t _{RPC}	\overline{RAS} to \overline{CS} Precharge Time	0	-	ns	
t _{CPT}	\overline{CS} Precharge Time (\overline{CS} before \overline{RAS} Counter Test Cycle)	30	-	ns	
t _{ROH}	\overline{RAS} Hold Time referenced to \overline{OE}	10	-	ns	
t _{OEA}	\overline{OE} Access Time	-	20	ns	
t _{OED}	\overline{OE} to Data Delay	20	-	ns	
t _{OEZ}	Output Buffer turn off Delay Time from \overline{OE}	0	20	ns	10
t _{OEH}	\overline{OE} Command Hold Time	20	-	ns	

TC514402AP/AJ/ASJ/AZ-60

SYMBOL	PARAMETER	TC514402AP/AJ/ASJ/AZ-60		UNIT	NOTES
		MIN.	MAX.		
t _{WTS}	Write Command Set-Up Time	10	-	ns	
t _{WTH}	Write Command Hold Time	10	-	ns	
t _{WRP}	WRITE to RAS Precharge Time	10	-	ns	
t _{WRH}	WRITE to RAS Hold Time	10	-	ns	

TC514402AP/AJ/ASJ/AZ-60

ELECTRICAL CHARACTERISTICS AND RECOMMENDED AC OPERATING CONDITIONS IN THE TEST MODE ($V_{CC} = 5V \pm 10\%$, $T_a = 0 \sim 70^\circ\text{C}$) (Notes 6, 7, 8)

SYMBOL	PARAMETER	TC514402AP/AJ/ASJ/AZ-60		UNIT	NOTES
		MIN.	MAX.		
t_{RC}	Random Read or Write Cycle Time	115	-	ns	
t_{SC}	Static Column Mode Cycle Time	40	-	ns	
t_{RAC}	Access Time from \overline{CS}	-	65	ns	9,14 15
t_{CAC}	Access Time from \overline{CS}	-	25	ns	9,14
t_{AA}	Access Time from Column Address	-	35	ns	9,15
t_{RAS}	\overline{RAS} Pulse Width	65	10,000	ns	
t_{RASC}	\overline{RAS} Pulse Width (Static Column Mode)	65	200,000	ns	
t_{RSH}	\overline{RAS} Hold Time	25	-	ns	
t_{CSH}	\overline{CS} Hold Time	65	-	ns	
t_{CS}	\overline{CS} Pulse Width	25	10,000	ns	
t_{CSC}	\overline{CS} Pulse Width (Static Column Mode)	25	200,000	ns	
t_{RAL}	Column Address to \overline{RAS} Lead Time	35	-	ns	

CAPACITANCE ($V_{CC} = 5V \pm 10\%$, $f = 1\text{MHz}$, $T_a = 0 \sim 70^\circ\text{C}$)

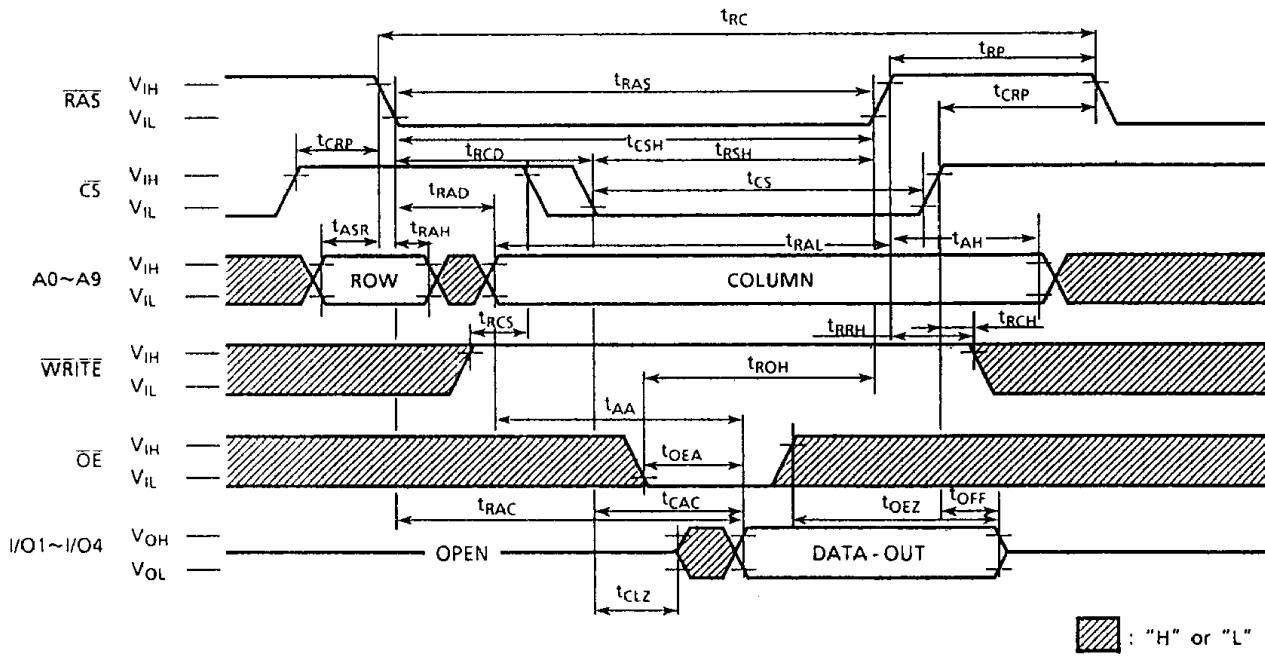
SYMBOL	PARAMETER	MIN.	MAX.	UNIT
C_{I1}	Input Capacitance (A0~A9)	-	5	pF
C_{I2}	Input Capacitance (\overline{RAS} , \overline{CS} , \overline{WRITE} , \overline{OE})	-	7	pF
C_O	Input/Output Capacitance (I/O1~I/O4)	-	7	pF

TC514402AP/AJ/ASJ/AZ-60

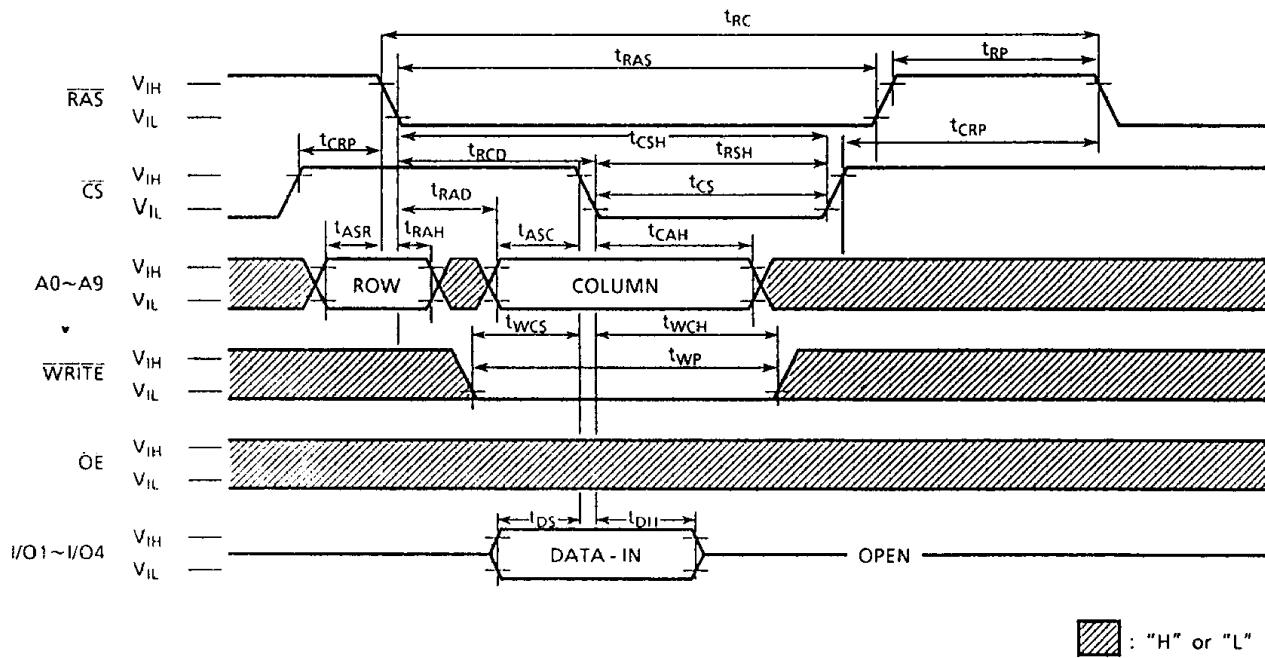
NOTES:

1. Stresses greater than those listed under "Absolute Maximum Ratings" may cause permanent damage to the device.
2. All voltages are referenced to V_{SS} .
3. I_{CC1} , I_{CC3} , I_{CC4} , I_{CC6} depend on cycle rate.
4. I_{CC1} , I_{CC4} depend on output loading. Specified values are obtained with the output open.
5. Column address can be changed once or less while $\overline{RAS} = V_{IL}$.
6. An initial pause of 200 μ s is required after power-up followed by 8 \overline{RAS} only refresh cycles before proper device operation is achieved. In case of using internal refresh counter, a minimum of 8 \overline{CS} before \overline{RAS} refresh cycles instead of 8 \overline{RAS} refresh cycles are required.
7. AC measurements assume $t_T = 5$ ns.
8. V_{IH} (min.) and V_{IL} (max.) are reference levels for measuring timing of input signals.
9. Measured with a load equivalent to 2 TTL loads and 100pF.
10. t_{OFF} (max.) and t_{OEZ} (max.) define the time at which the output achieves the open circuit condition and are not referenced to output voltage levels.
11. Either t_{RCH} or t_{RRH} must be satisfied for a read cycle.
12. These parameters are referenced to \overline{CS} leading edge in early write cycles and to \overline{WRITE} leading edge in Read-Modify-Write cycles.
13. t_{WCS} , t_{RWd} , t_{CWD} and t_{AWd} are not restrictive operating parameters. They are included in the data sheet as electrical characteristics only. If $t_{WCS} \geq t_{WCS}(\text{min.})$, the cycle is an early write cycle and the data out pin will remain open circuit (high impedance) through the entire cycle; If $t_{RWd} \geq t_{RWd}(\text{min.})$, $t_{CWD} \geq t_{CWD}(\text{min.})$ and $t_{AWd} \geq t_{AWd}(\text{min.})$ the cycle is a Read-Modify-Write cycle and the data out will contain data read from the selected cell; If neither of the above sets of conditions is satisfied, the condition of the data out (at access time) is indeterminate.
14. Operation within the $t_{RCD}(\text{max.})$ limit insures that $t_{RAC}(\text{max.})$ can be met.
 $t_{RCD}(\text{max.})$ is specified as a reference point only: If t_{RCD} is greater than the specified $t_{RCD}(\text{max.})$ limit, then access time is controlled by t_{CAC} .
15. Operation within the $t_{RAD}(\text{max.})$ limit insures that $t_{RAC}(\text{max.})$ can be met.
 $t_{RAD}(\text{max.})$ is specified as a reference point only: If t_{RAD} is greater than the specified $t_{RAD}(\text{max.})$ limit, then access time is controlled by t_{AA} .
16. Operation within the $t_{LWAD}(\text{max.})$ limit insures that $t_{ALW}(\text{max.})$ can be met.
 $t_{LWAD}(\text{max.})$ is specified as a reference point only: If t_{RAD} is greater than the specified $t_{LWAD}(\text{max.})$ limit, then access time is controlled by t_{AA} .
17. t_{AH} is the condition to latch column address ewhen \overline{RAS} has rised up.

READ CYCLE

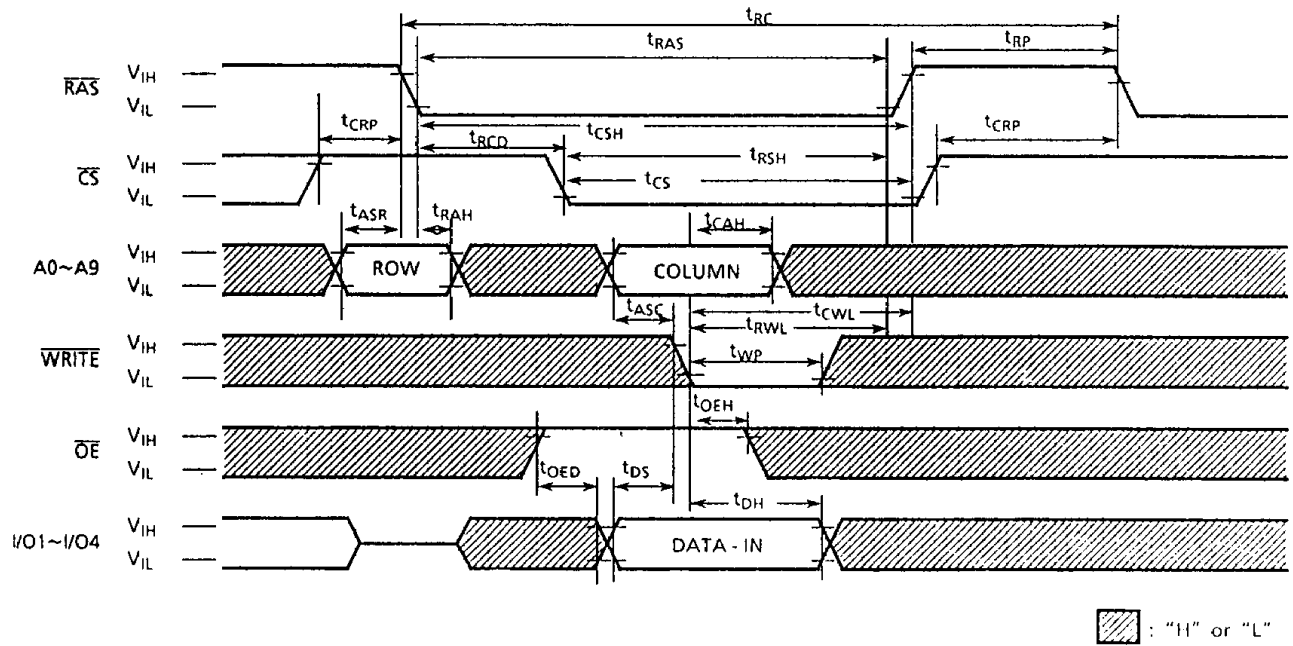


WRITE CYCLE (EARLY WRITE)

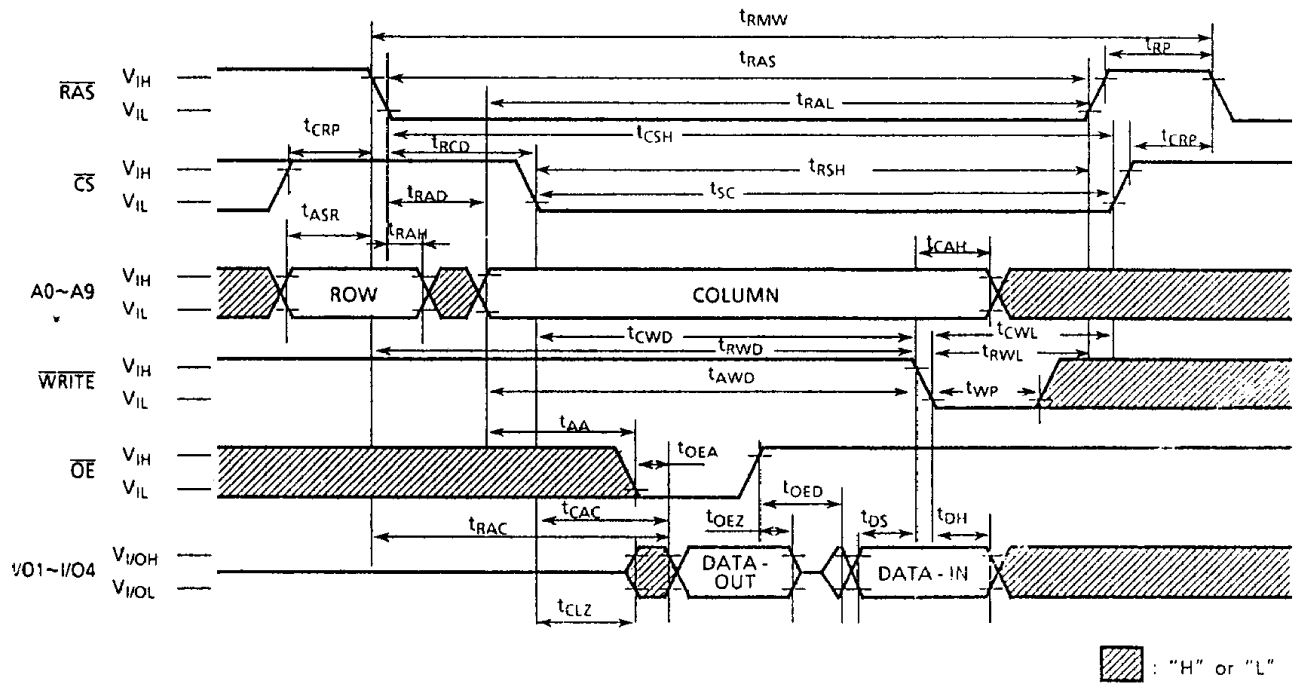


TC514402AP/AJ/ASJ/AZ-60

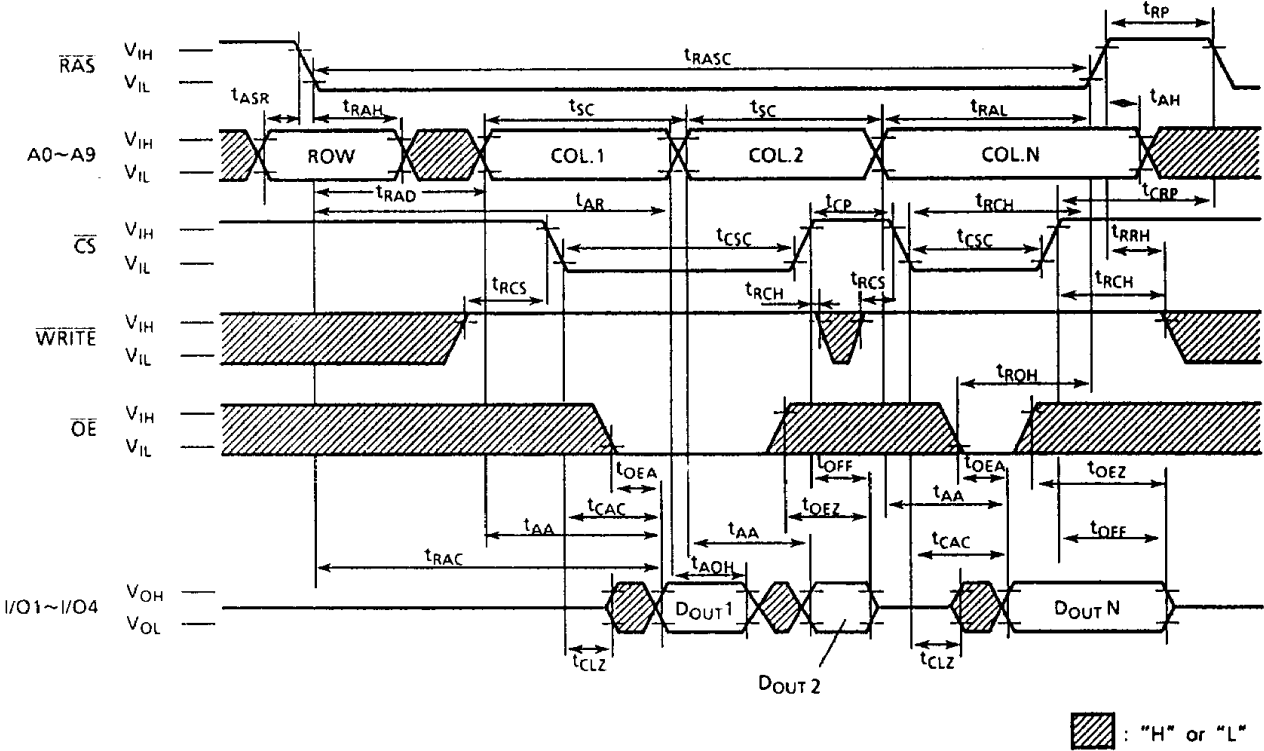
WRITE CYCLE (\overline{OE} CONTROLLED WRITE)



READ - MODIFY - WRITE CYCLE

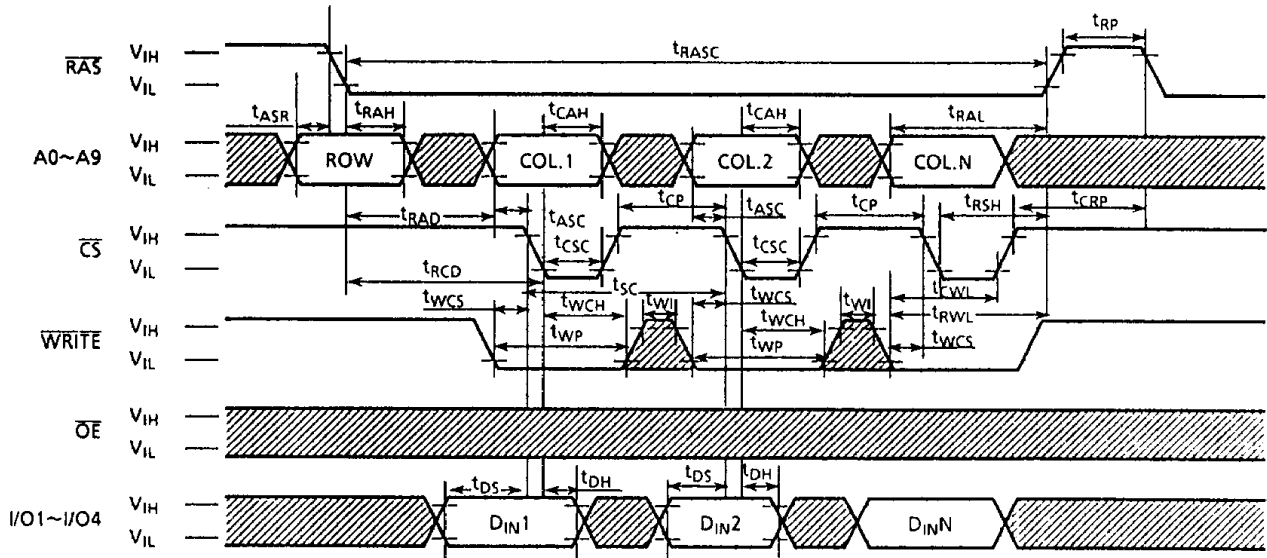


STATIC COLUMN MODE READ CYCLE

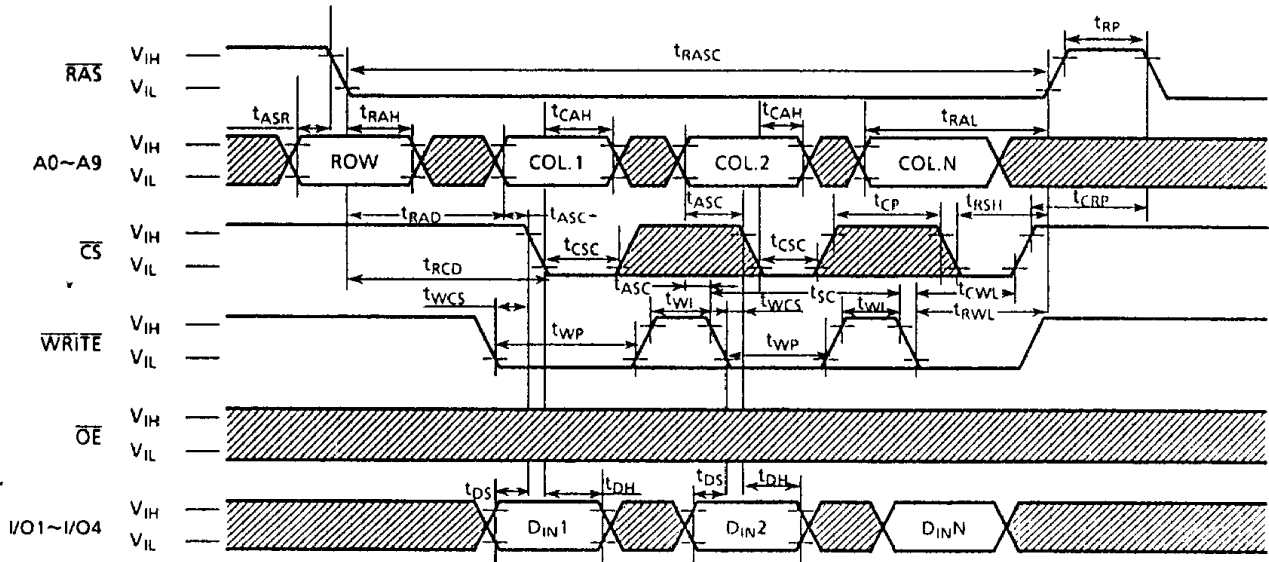


TC514402AP/AJ/ASJ/AZ-60

STATIC COLUMN MODE WRITE CYCLE (EARLY WRITE)

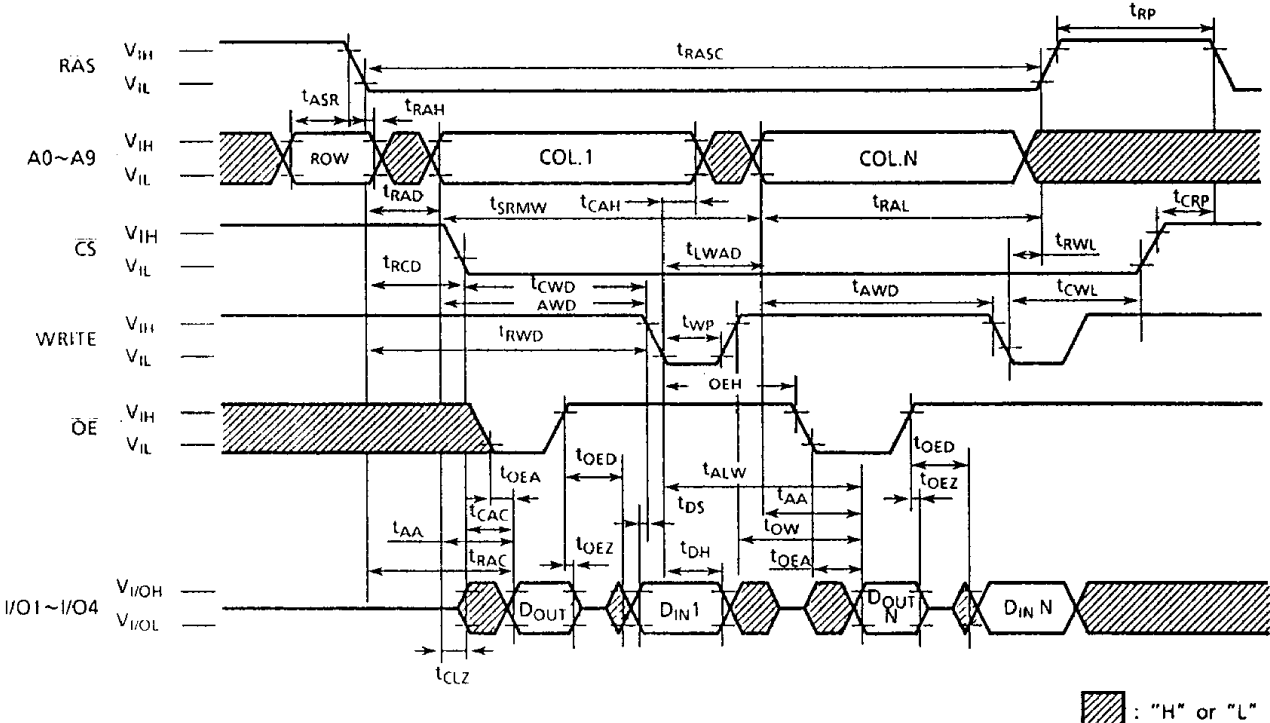


STATIC COLUMN MODE WRITE CYCLE (EARLY WRITE)



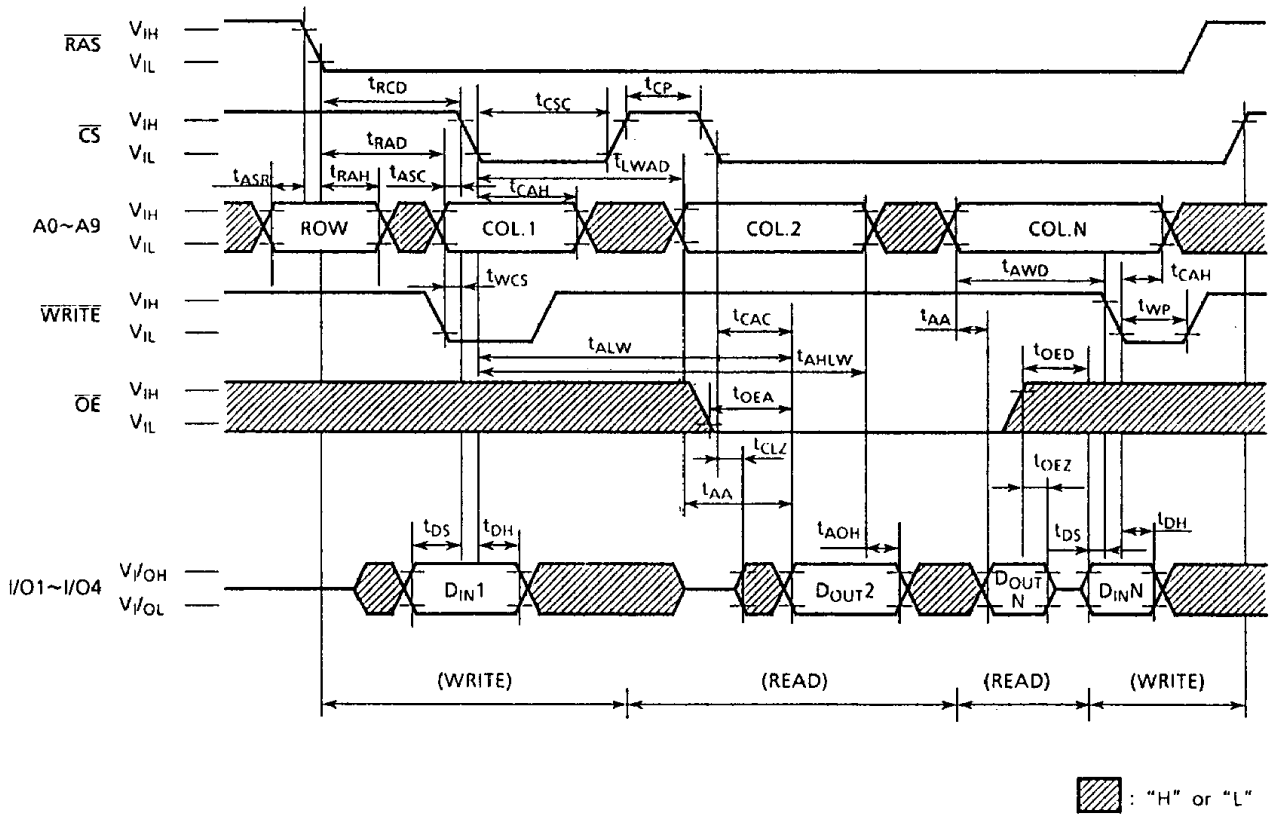
TC514402AP/AJ/ASJ/AZ-60

STATIC COLUMN MODE READ-MODIFY-WRITE CYCLE

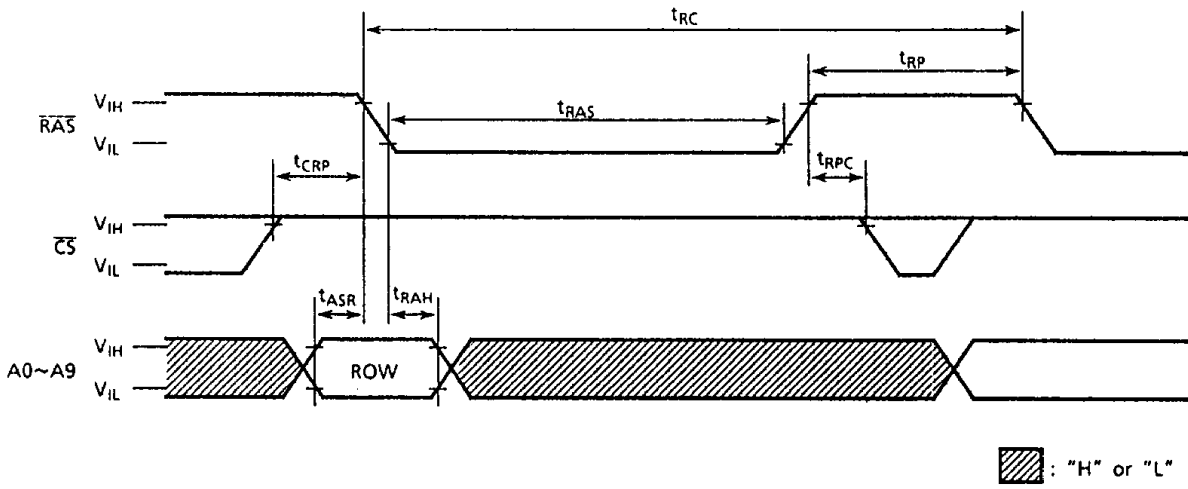


TC514402AP/AJ/ASJ/AZ-60

STATIC COLUMN MODE READ/WRITE MIXED CYCLE



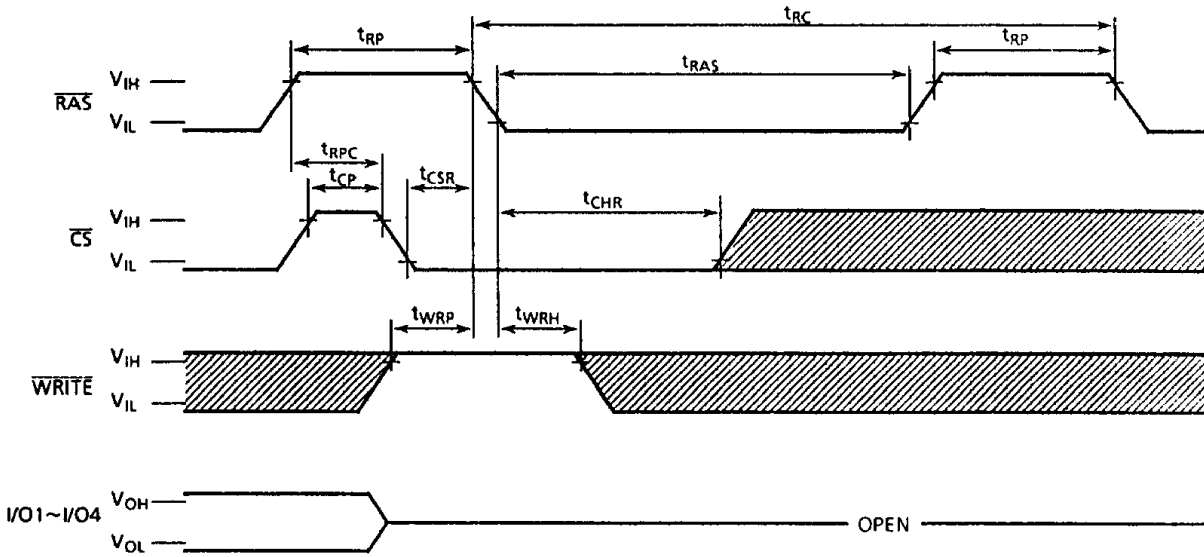
RAS ONLY REFRESH CYCLE




Note: WRITE, \overline{OE} = "H" or "L"

TC514402AP/AJ/ASJ/AZ-60

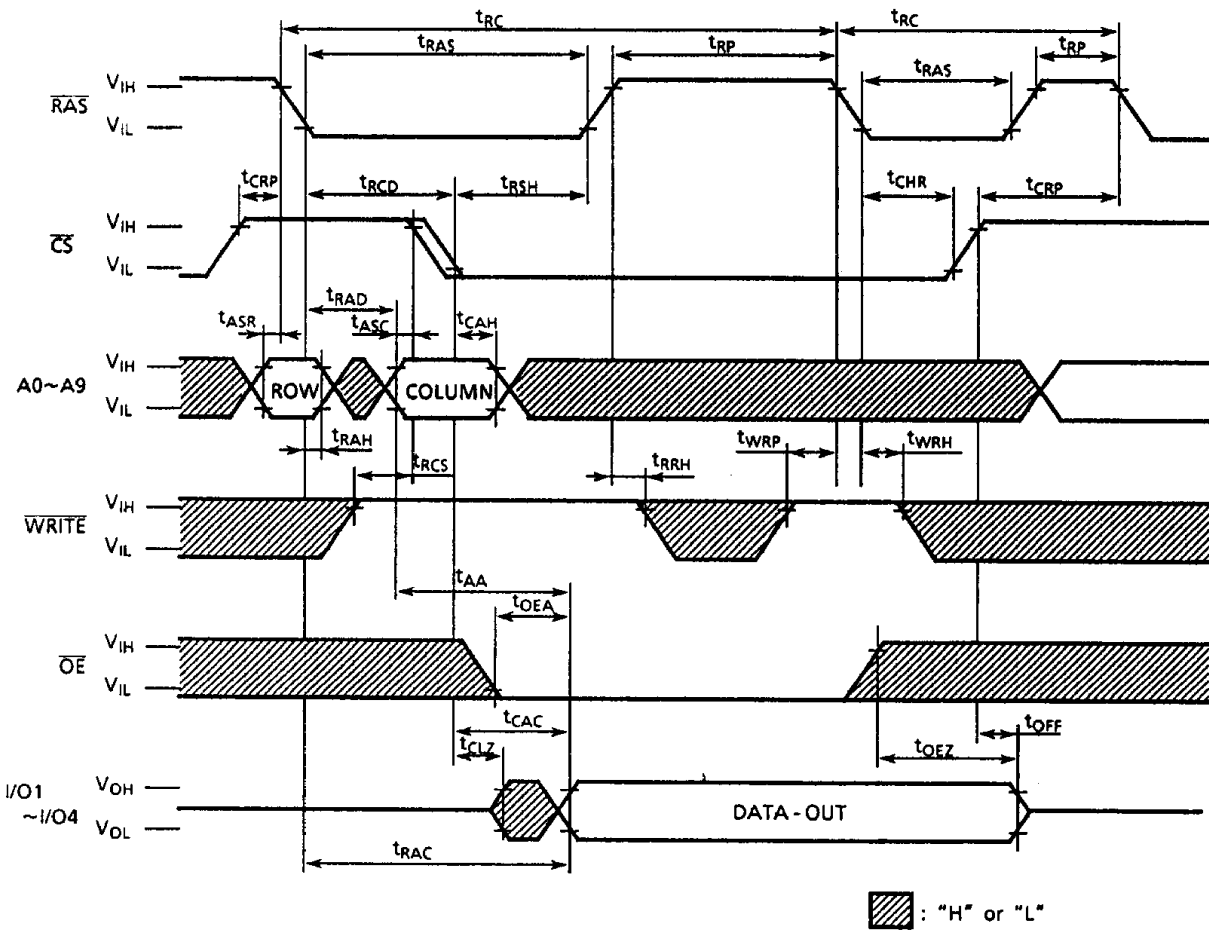
CS BEFORE RAS REFRESH CYCLE



Note: \overline{OE} , A0~A9 = "H" or "L"

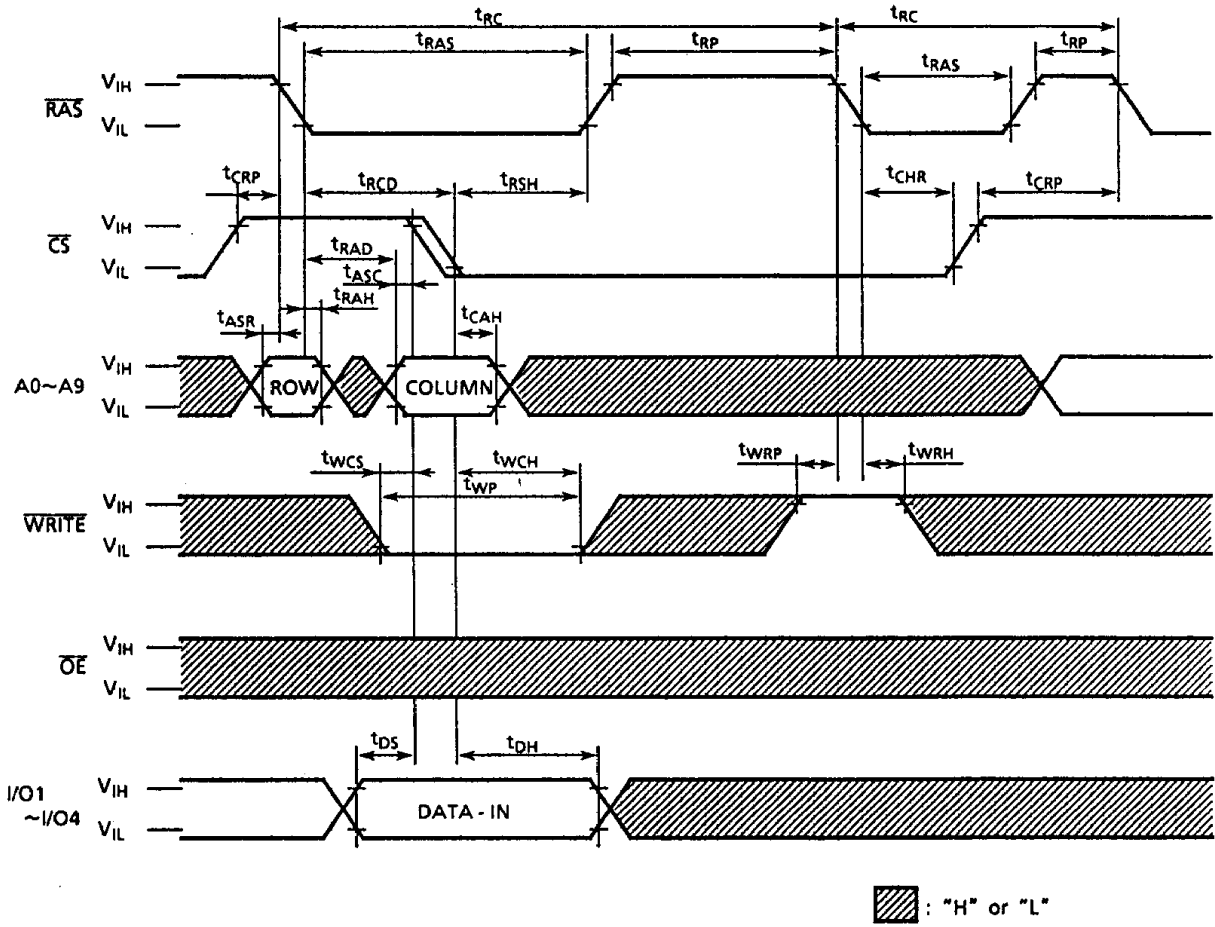
 : "H" or "L"

HIDDEN REFRESH CYCLE (READ)

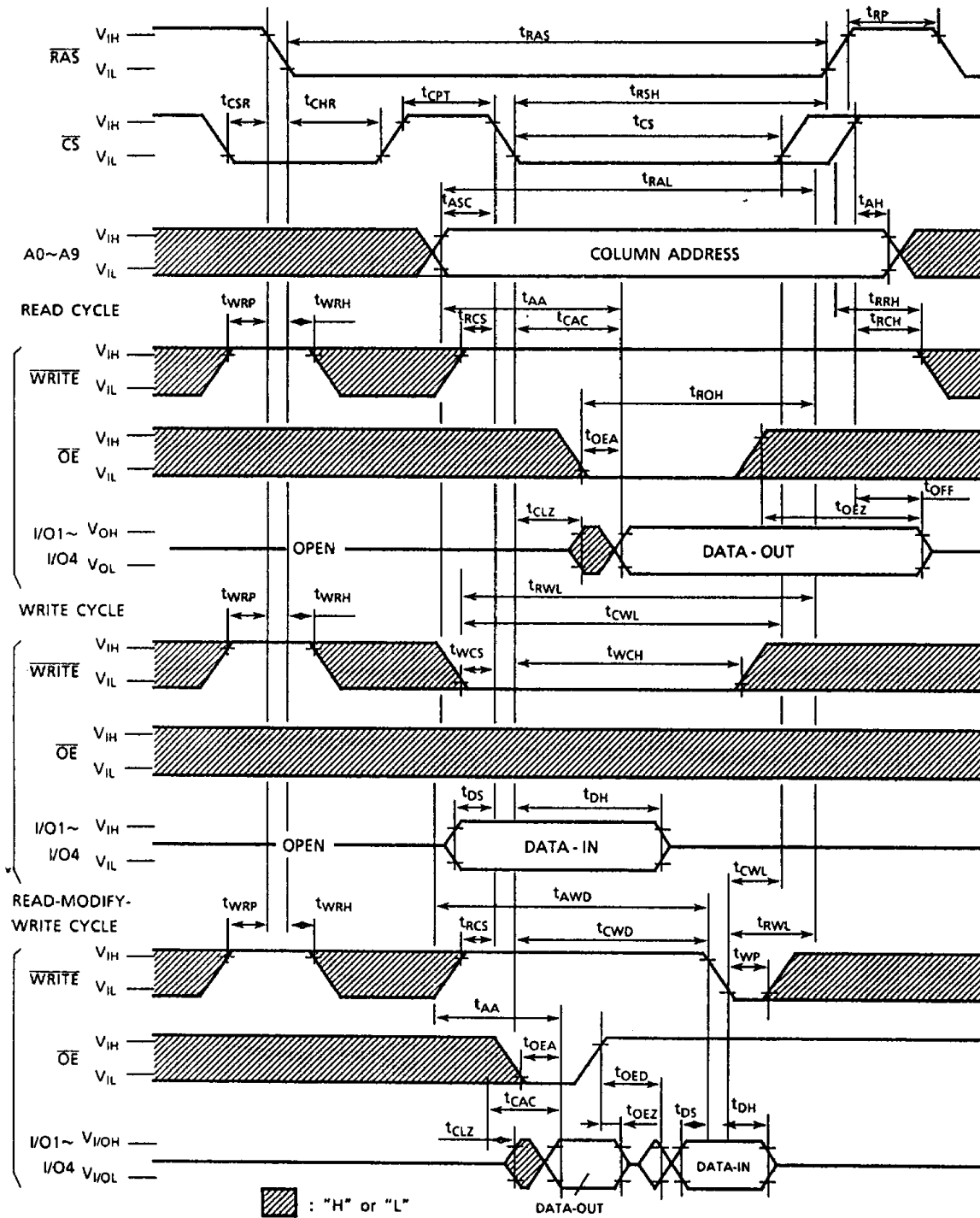


TC514402AP/AJ/ASJ/AZ-60

HIDDEN REFRESH CYCLE (WRITE)

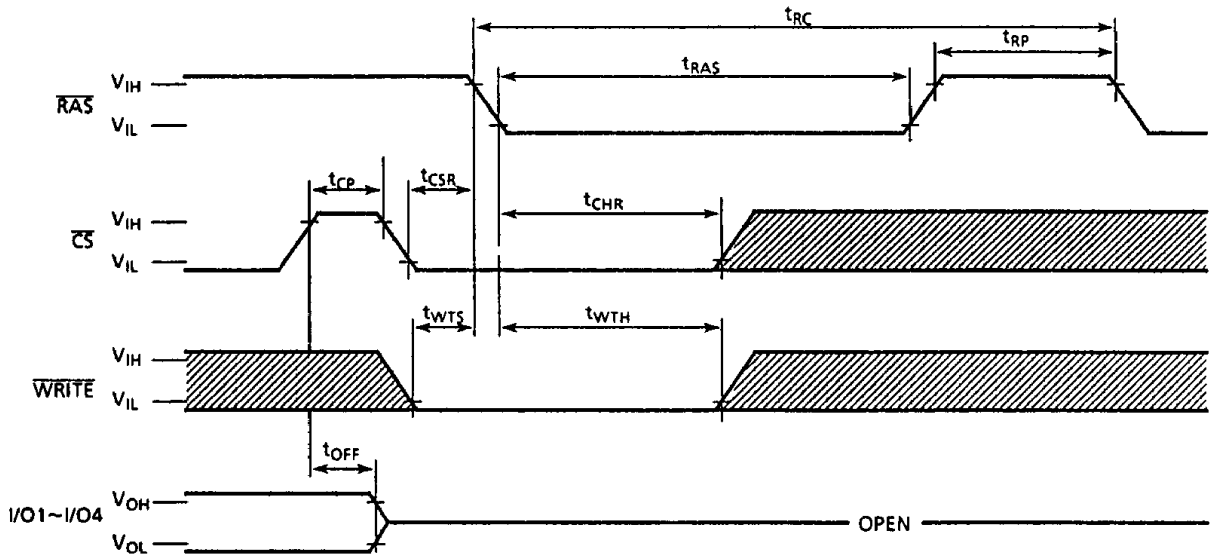


\overline{CS} BEFORE \overline{RAS} REFRESH COUNTER TEST CYCLE




TC514402AP/AJ/ASJ/AZ-60

WRITE, CS BEFORE RAS REFRESH CYCLE



Note: \overline{OE} , $A0 \sim A9 = "H" \text{ or } "L"$

 : "H" or "L"

**TC514402AP/AJ/ASJ/AZ-70, TC514402AP/AJ/ASJ/AZ-80
TC514402AP/AJ/ASJ/AZ-10**

ABSOLUTE MAXIMUM RATINGS

ITEM	SYMBOL	RATING	UNITS	NOTES
Input Voltage	V_{IN}	-1~7	V	1
Output Voltage	V_{OUT}	-1~7	V	1
Power Supply Voltage	V_{CC}	-1~7	V	1
Operating Temperature	T_{OPR}	0~70	°C	1
Storage Temperature	T_{STG}	-55~150	°C	1
Soldering Temperature · Time	T_{SOLDER}	260 · 10	°C · sec	1
Power Dissipation	P_D	700	mW	1
Short Circuit Output Current	I_{OUT}	50	mA	1

RECOMMENDED DC OPERATING CONDITIONS (Ta = 0~70°C)

SYMBOL	PARAMETER	MIN.	TYP.	MAX.	UNIT	NOTES
V_{CC}	Supply Voltage	4.5	5.0	5.5	V	2
V_{IH}	Input High Voltage	2.4	-	6.5	V	2
V_{IL}	Input Low Voltage	-1.0	-	0.8	V	2

TC514402AP/AJ/ASJ/AZ-60

BLOCK DIAGRAM IN THE TEST MODE

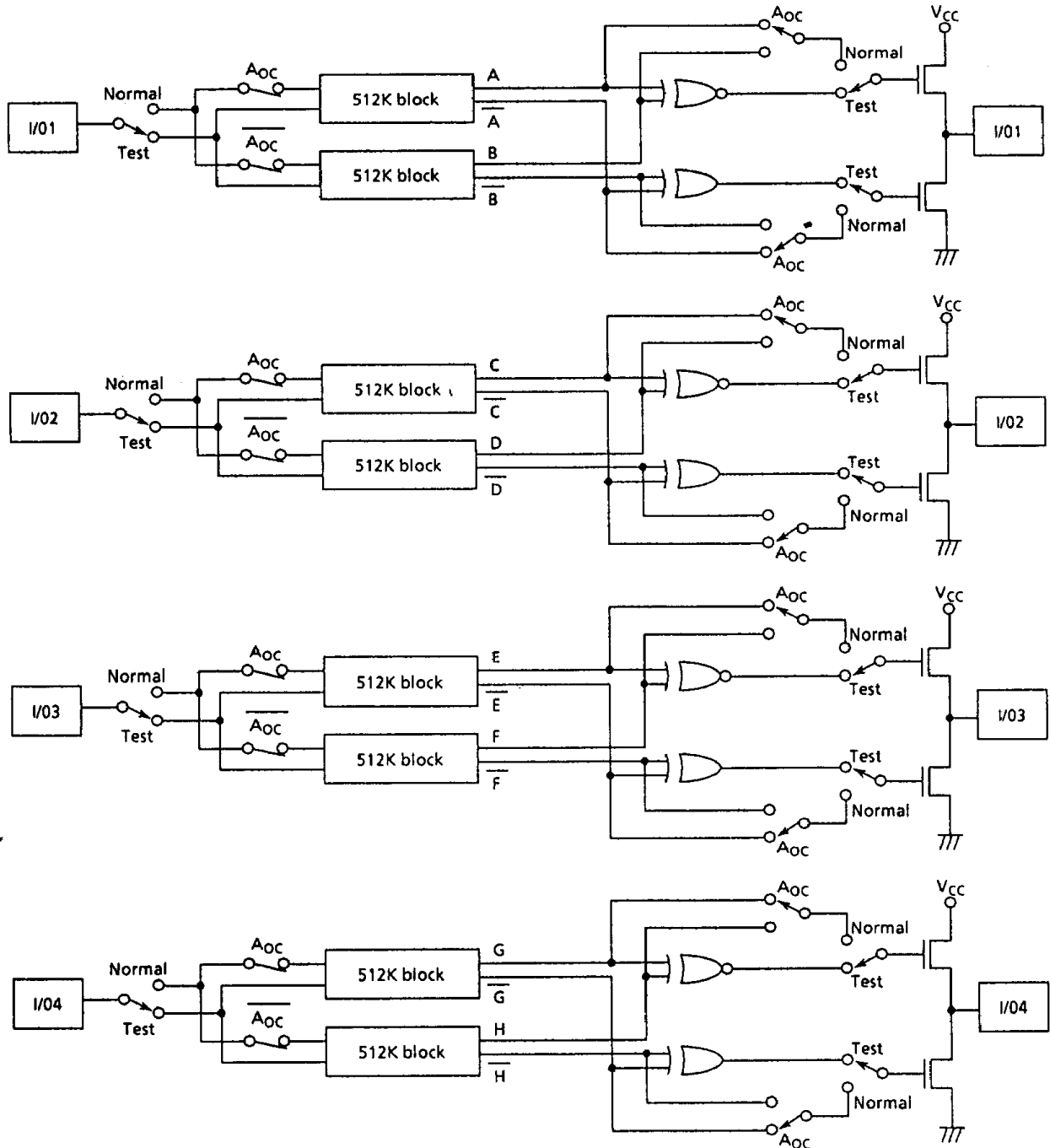


Fig. 1