

MM5483 Liquid Crystal Display Driver

General Description

The MM5483 is a monolithic integrated circuit utilizing CMOS metal-gate low-threshold enhancement mode devices. It is available in a 40-pin molded package. The chip can drive up to 31 segments of LCD and can be cascaded to increase this number. This chip is capable of driving a 4½-digit 7-segment display with minimal interface between the display and the data source.

The MM5483 stores the display data in latches after it is latched in, and holds the data until another load pulse is received.

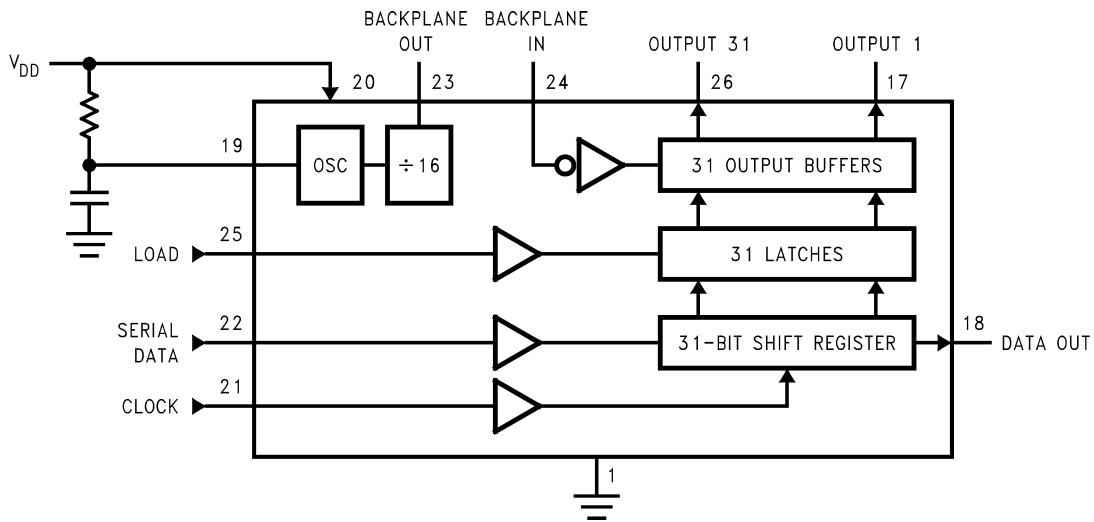
Features

- Serial data input
- Serial data output
- Wide power supply operation
- TTL compatibility
- 31 segment outputs
- Alphanumeric and bar graph capability
- Cascade capability

Applications

- COPS™ or microprocessor displays
- Industrial control indicator
- Digital clock, thermometer, counter, voltmeter
- Instrumentation readouts
- Remote displays

Block and Connection Diagrams

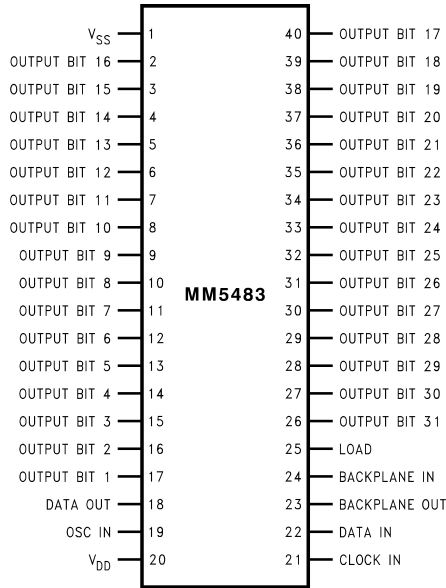


00614001

FIGURE 1.

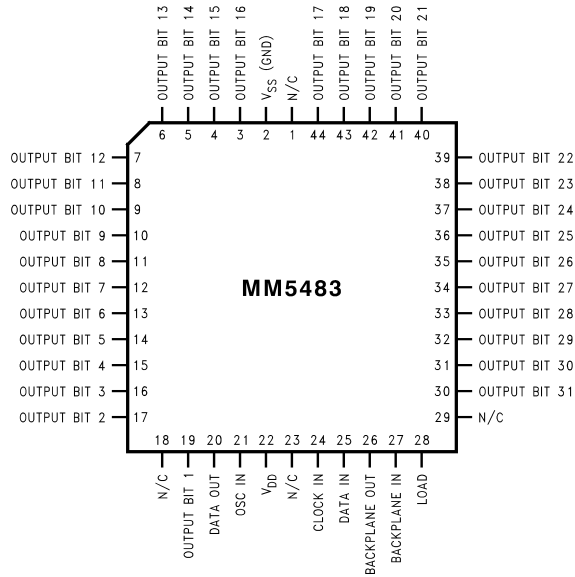
Block and Connection Diagrams (Continued)

Dual-In-Line Package



00614002

Top View
Order Number MM5483N
See NS Package Number N40A



00614007

Order Number MM5483V
See NS Package Number V44A

FIGURE 2.

Absolute Maximum Ratings (Note 1)

If Military/Aerospace specified devices are required, please contact the National Semiconductor Sales Office/Distributors for availability and specifications.

Voltage at Any Pin	V_{SS} to $V_{SS} + 10V$
Operating Temperature	-40°C to +85°C

Storage Temperature	-65°C to +150°C
Power Dissipation	300 mW at +85°C 350 mW at +25°C
Junction Temperature	+150°C
Lead Temperature (Soldering, 10 seconds)	300°C

DC Electrical Characteristics

T_A within operating range, $V_{DD} = 3.0V$ to $10V$, $V_{SS} = 0V$, unless otherwise specified

Parameter	Conditions	Min	Typ	Max	Units				
Power Supply		3.0		10	V				
Average Supply Current, I_{DD}	All Outputs Bits = Open, Data Out = Open, BP_Out = Open, Clock In = 0V, Data In = 0V, Data Load = 0V, Osc In = 0V, BP_In = 32Hz								
	$V_{DD} = 3.0V$		1.5	2.5	μA				
	$V_{DD} = 5.0V$			10	μA				
	$V_{DD} = 10.0V$			40	μA				
Input Voltage Levels	Load, Clock, Data								
						Logic "0"	$V_{DD} = 5.0V$	0.9	V
						Logic "1"	$V_{DD} = 5.0V$	2.4	V
						Logic "0"	$V_{DD} = 3.0V$	0.4	V
Logic "1"	$V_{DD} = 3.0V$	2.0	V						
Output Current Levels Segments and Data Out									
						Sink	$V_{DD} = 3.0V$, $V_{OUT} = 0.3V$	20	μA
Source	$V_{DD} = 3.0V$, $V_{OUT} = 2.7V$	20	μA						
BP Out Sink	$V_{DD} = 3.0V$, $V_{OUT} = 0.3V$	320			μA				
BP Out Source	$V_{DD} = 3.0V$, $V_{OUT} = 2.7V$	320			μA				

AC Electrical Characteristics

$V_{DD} \geq 4.7V$, $V_{SS} = 0V$ unless otherwise specified

Symbol	Parameter	Min	Typ	Max	Units
f_C	Clock Frequency, $V_{DD} = 3V$			500	kHz
t_{CH}	Clock Period High	(Notes 2, 3)	500		ns
t_{CL}	Clock Period Low	500			ns
t_{DS}	Data Set-Up before Clock	300			ns
t_{DH}	Data Hold Time after Clock	100			ns
t_{LW}	Minimum Load Pulse Width	500			ns
t_{LTC}	Load to Clock	400			ns
t_{CDO}	Clock to Data Valid		400	750	ns

Note 1: "Absolute Maximum Ratings" are those values beyond which the safety of the device cannot be guaranteed. They are not meant to imply that the devices should be operated at these limits. The table of "Electrical Characteristics" specifies conditions of device operation.

Note 2: AC input waveform specification for test purpose: $t_r \leq 20$ ns, $t_f \leq 20$ ns, $f = 500$ kHz, 50% \pm 10% duty cycle.

Note 3: Clock input rise and fall times must not exceed 300 ns.

Note 4: Output offset voltage is ± 50 mV with $C_{SEGMENT} = 250$ pF, $C_{BP} = 8750$ pF.

Functional Description

A block diagram for the MM5483 is shown in *Figure 1* and a package pinout is shown in *Figure 2*. *Figure 3* shows a possible 3-wire connection system with a typical signal format for *Figure 3*. Shown in *Figure 4*, the load input is an asynchronous input and lets data through from the shift register to the output buffers any time it is high. The load input can be connected to V_{DD} for 2-wire control as shown in

Figure 5. In the 2-wire control mode, 31 bits (or less depending on the number of segments used) of data are clocked into the MM5483 in a short time frame (with less than 0.1 second there probably will be no noticeable flicker) with no more clocks until new information is to be displayed. If data was slowly clocked in, it can be seen to "walk" across the display in the 2-wire mode. An AC timing diagram can be seen in *Figure 6*. It should be noted that data out is not a TTL-compatible output.

Functional Description (Continued)

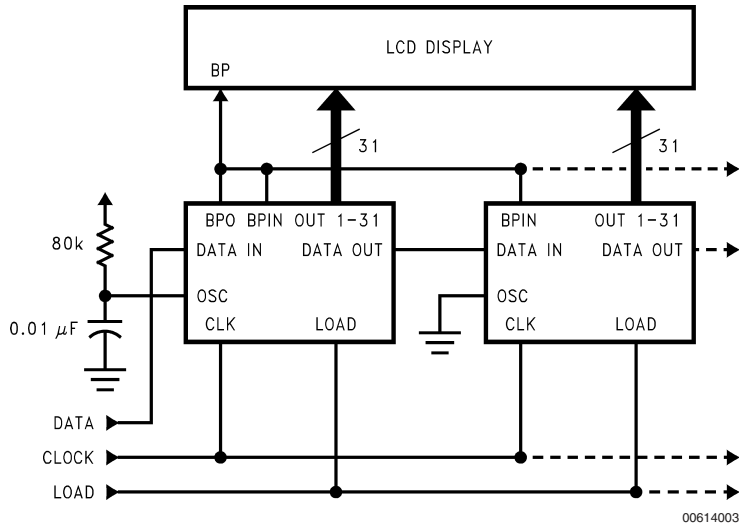


FIGURE 3. Three-Wire Control Mode

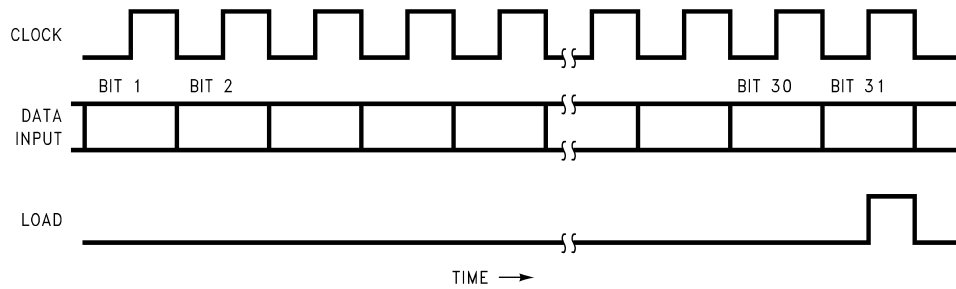


FIGURE 4. Data Format Diagram

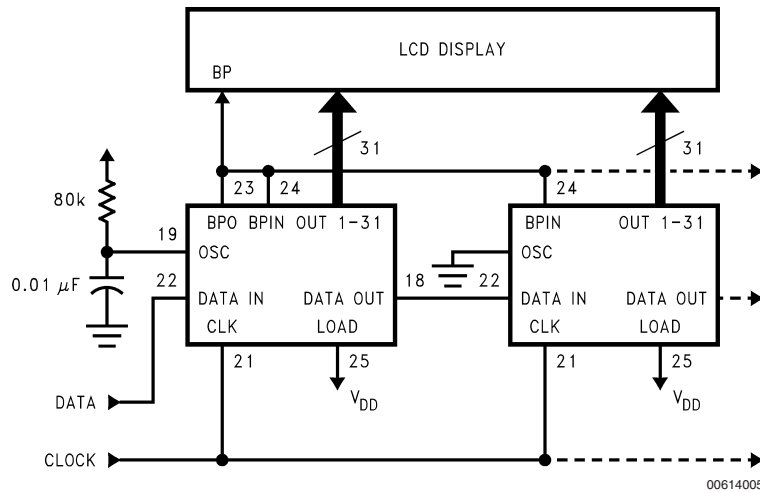
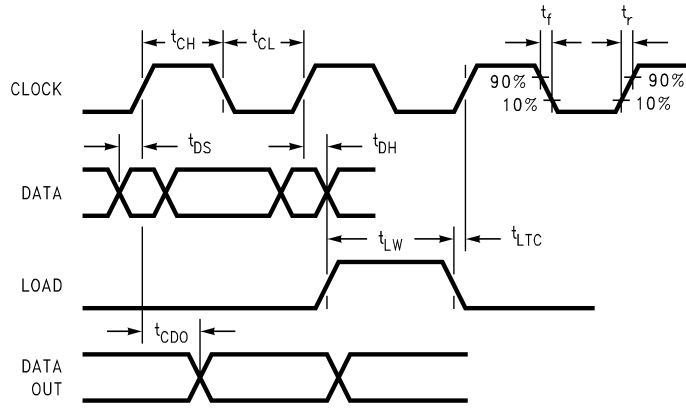


FIGURE 5. Two-Wire Control Mode

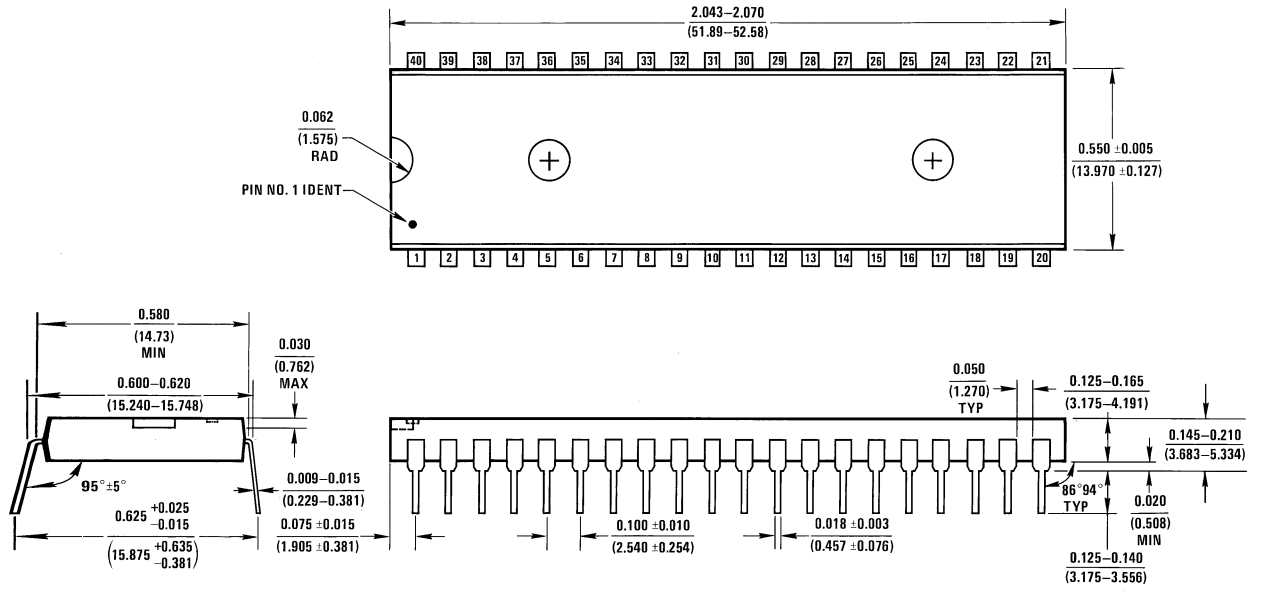
Functional Description (Continued)



00614006

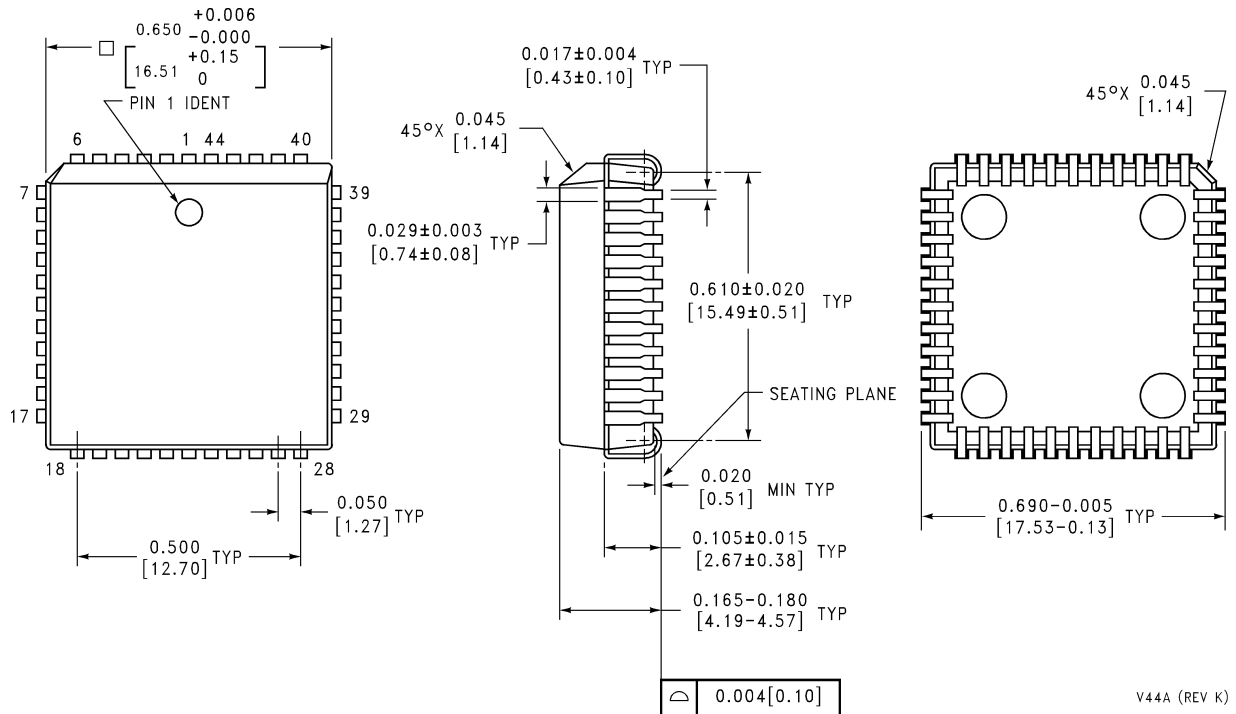
FIGURE 6. Timing Diagram

Physical Dimensions inches (millimeters) unless otherwise noted



N40A (REV E)

Molded Dual-In-Line Package (N)
Order Number MM5483N
NS Package Number N40A



V44A (REV K)

Order Number MM5483V
NS Package Number V44A

Notes

LIFE SUPPORT POLICY

NATIONAL'S PRODUCTS ARE NOT AUTHORIZED FOR USE AS CRITICAL COMPONENTS IN LIFE SUPPORT DEVICES OR SYSTEMS WITHOUT THE EXPRESS WRITTEN APPROVAL OF THE PRESIDENT AND GENERAL COUNSEL OF NATIONAL SEMICONDUCTOR CORPORATION. As used herein:

1. Life support devices or systems are devices or systems which, (a) are intended for surgical implant into the body, or (b) support or sustain life, and whose failure to perform when properly used in accordance with instructions for use provided in the labeling, can be reasonably expected to result in a significant injury to the user.
2. A critical component is any component of a life support device or system whose failure to perform can be reasonably expected to cause the failure of the life support device or system, or to affect its safety or effectiveness.

BANNED SUBSTANCE COMPLIANCE

National Semiconductor certifies that the products and packing materials meet the provisions of the Customer Products Stewardship Specification (CSP-9-111C2) and the Banned Substances and Materials of Interest Specification (CSP-9-111S2) and contain no "Banned Substances" as defined in CSP-9-111S2.



National Semiconductor
Americas Customer
Support Center
Email: new.feedback@nsc.com
Tel: 1-800-272-9959

National Semiconductor
Europe Customer Support Center
Fax: +49 (0) 180-530 85 86
Email: europe.support@nsc.com
Deutsch Tel: +49 (0) 69 9508 6208
English Tel: +44 (0) 870 24 0 2171
Français Tel: +33 (0) 1 41 91 8790

National Semiconductor
Asia Pacific Customer
Support Center
Email: ap.support@nsc.com

National Semiconductor
Japan Customer Support Center
Fax: 81-3-5639-7507
Email: jpn.feedback@nsc.com
Tel: 81-3-5639-7560

www.national.com