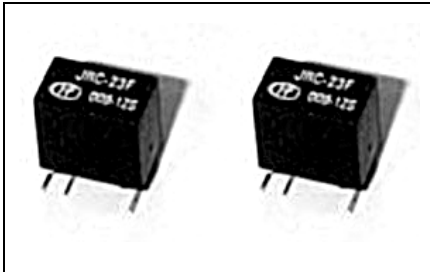




LOW SIGNAL RELAYS
1 POLE PC BOARD TYPE

JRC-23F



- High sensitivity :150 mW
- 1 pole configurations
- Small size at 12.5L×7.5W×10H mm
- Sealed type available
- UL / CUR File No. E133481

■ CONTACT DATA

Arrangement	1C
Initial Contact Resistance Max. (at 1A 6VDC)	100 mΩ
Contact Material	Silver Alloy (Au clad)
Contact Rating (Res. Load)	0.5A 125VAC / 1 A 30VDC
Max. switching voltage	125VAC / 60 VDC
Max. switching current	2 A
Max. switching power	62.5 VA / 30W
UL/CUR rating	0.5 A 125 VAC 1 A 30 VAC 0.3 A 60 VDC
Expected Life min. operations	Mechanical: 1×10 ⁷ ops (36,000 ops/hour) Electrical: 1×10 ⁵ ops (1,800 ops/hour)

■ COIL

Nominal coil power	Sensitive: 0.15 W	Standard : 0.2 W
--------------------	-------------------	------------------

■ SPECIFICATION

Initial Insulation Resistance	1,000 MΩ 500 VAC
Dielectric Strength Between coil and Contacts	1,000 VAC
Between open contacts	400 VAC
Operate time (at nomi. Volt.)	5 ms
Release time (at nomi. Volt.)	5 ms
Bounce time (at nomi. Volt.)	5 ms
Temperature rise (at nominal voltage)	Max. 55 °C
Shock Resistance	100 m/s ²
Vibration Resistance	10 to 55 Hz 3.3mm
Humidity	35% to 85%
Ambient temperature	-30 °C to 70 °C
Termination	PCB
Unit weight	2.2 g
Construction	Sealed

■ TABLE

Sensitive Type					Standard Type				
Nominal Voltage VDC	Pick-up Voltage VDC	Drop-out Voltage VDC	Coil Current mA	Coil Resistance (at 20 °C) Ω	Nominal Voltage VDC	Pick-up Voltage VDC	Drop-out Voltage VDC	Coil Current mA	Coil Resistance (at 20 °C) Ω
1.5	1.20	0.15	100	15 ± 10 %	1.5	1.20	0.15	100	11.3 ± 10 %
3	2.40	0.30	50.0	60 ± 10 %	3	2.40	0.30	50.0	45 ± 10 %
5	4.00	0.50	29.9	167 ± 10 %	5	4.00	0.50	29.9	125 ± 10 %
6	4.80	0.60	25.0	240 ± 10 %	6	4.80	0.60	25.0	180 ± 10 %
9	7.20	0.90	16.7	540 ± 10 %	9	7.20	0.90	16.7	405 ± 10 %
12	9.60	1.20	12.5	960 ± 10 %	12	9.60	1.20	12.5	720 ± 10 %
24	19.20	2.40	6.25	3,840 ± 15 %	24	19.20	2.40	6.25	2880 ± 15 %

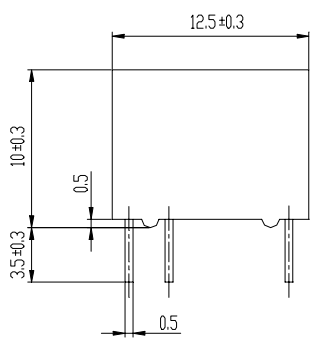
■ ORDERING INFORMATION

JRC-23F /	012	----	1Z	3	S
Coil voltage	1.5, 3, 5, 6, 9, 12, 24, VDC	Contact Form	1Z : 1 Form C	Termination	Version
				Nil: PCB Terminal 3: Bent Terminal	S : Sensitive type 0.15 W P : Standard type 0.20 W

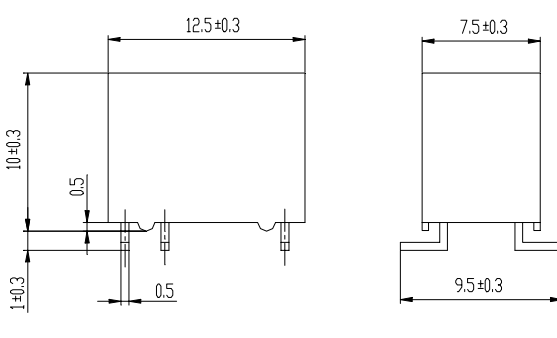
■ OUTLINE DIMENSIONS ,WIRING DIAGRAM AND PC BOARD LAYOUT

Outline Dimension

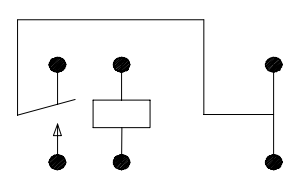
PCB Terminal



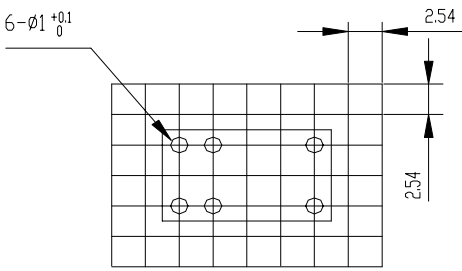
Bent Terminal



**Wiring Diagram
(bottom view)**



**Mounting holes
(bottom view)**



■ USEFUL CURVES

